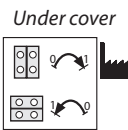
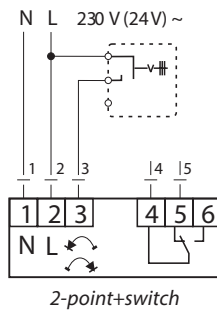
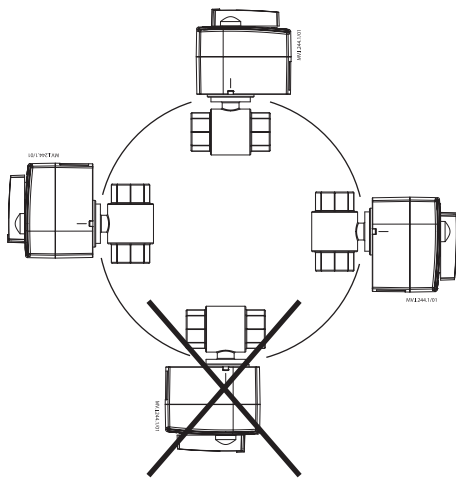
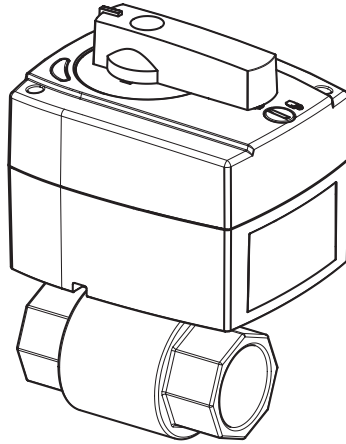


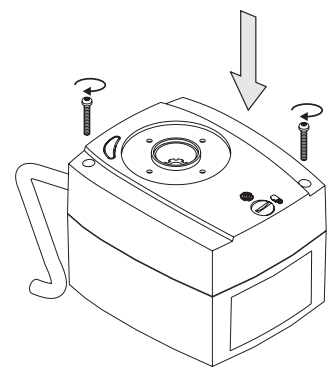
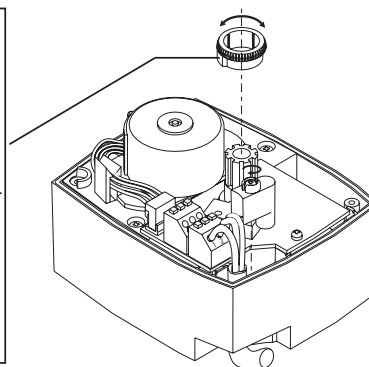
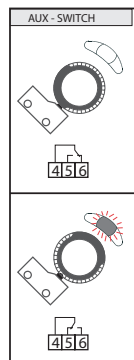
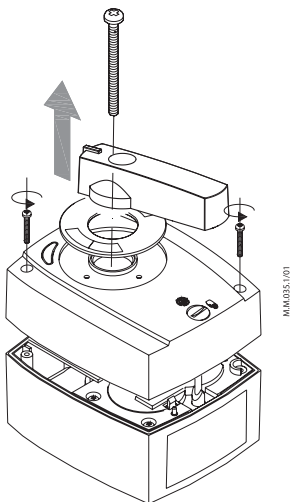
Installation Guide

AMZ 112, AMZ 113



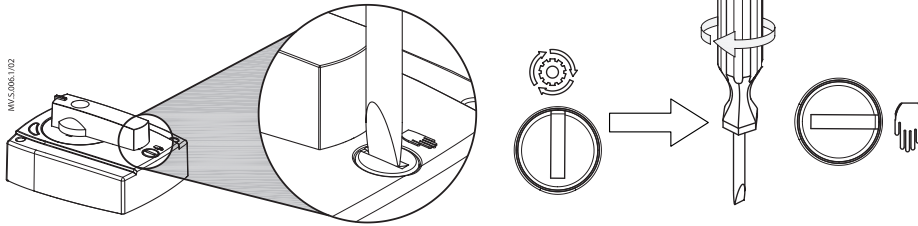
Direct/Inverse function

Jumper	Wiring	Open Port
DIR	L = 2 L = 2 & 3	AB-B AB-A
INV	L = 2 L = 2 & 3	AB-A AB-B



Installation Guide AMZ 112, AMZ 113

1



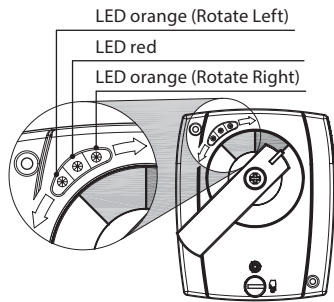
2



① AMZ 112

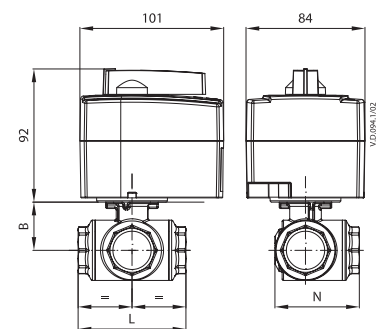
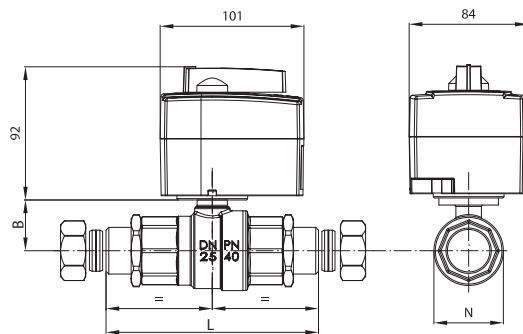
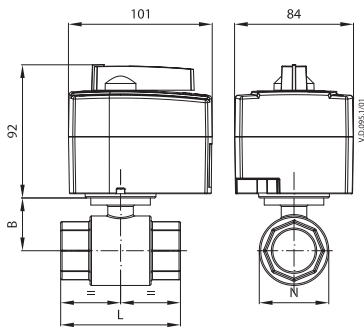
② AMZ 113

3



AMZ 112/113

LED color	2-point
orange	Rotation Left / Right
red	AUX switch activation



AMZ 112

DN	Connection	L	B	N
	G			
15	1/2"	61	29,4	37
20	3/4"	69,5	33	37
25	1"	84,5	37,2	42
32	1 1/4"	98,5	47,5	42
40	1 1/2"	110	53	42
50	2"	130	64	48

AMZ 112

DN	Connection	L	B	N
	G			
15	Cu-Cu 22	103	29,4	37
20	Cu-Cu 22	111,5	33	37

AMZ 113

DN	Connection	L	B	N
	G			
15	1/2"	64,5	38	49,5
20	3/4"	76	42	59,5
25	1"	97	46,5	74,5
32	1 1/4"	118	61,25	95,5