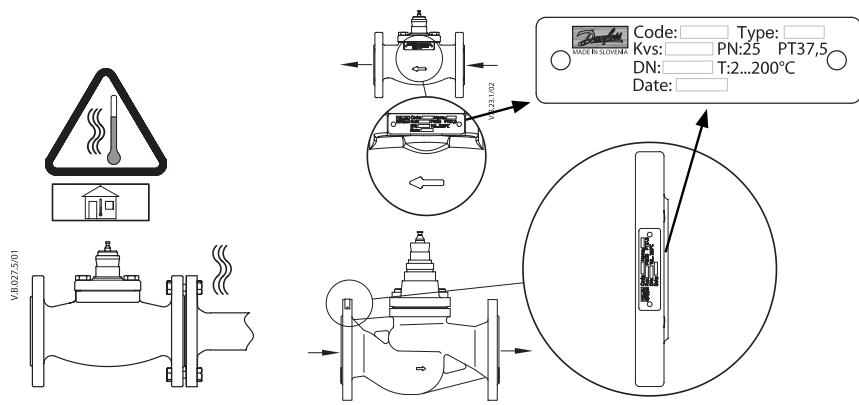
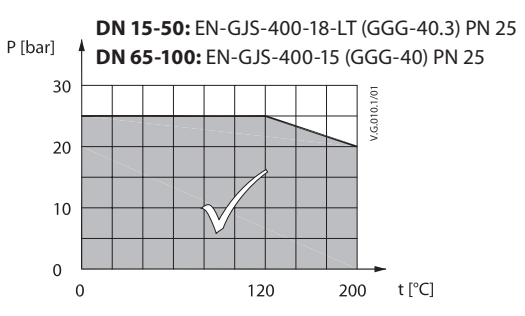
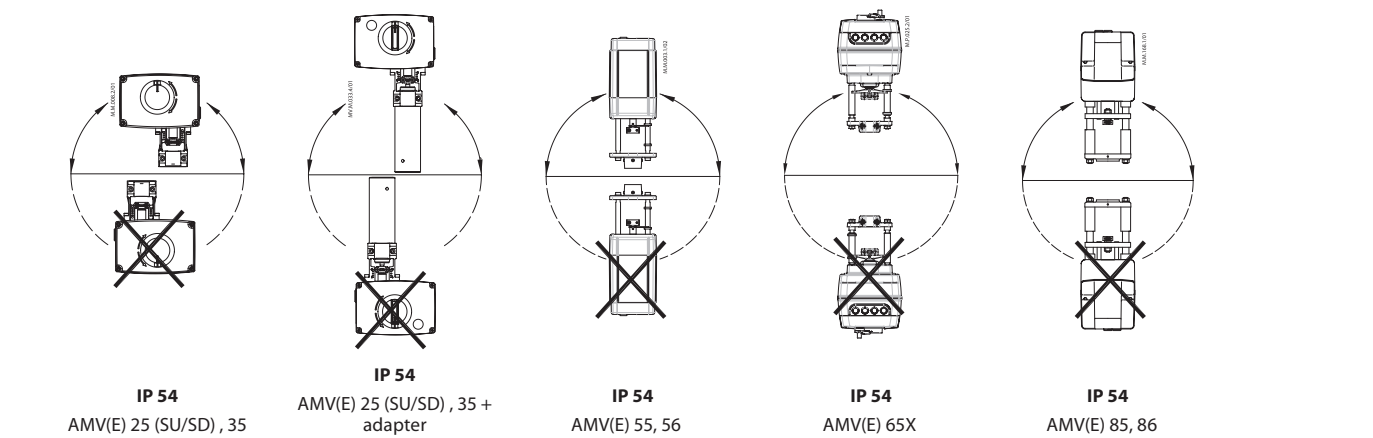
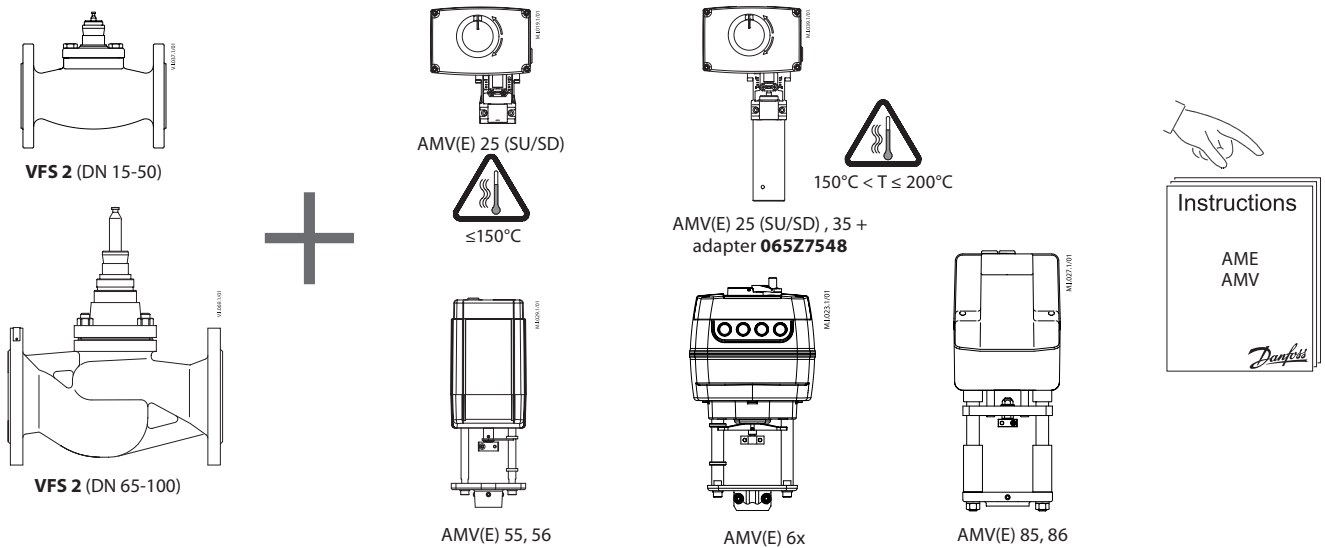


Operating Guide

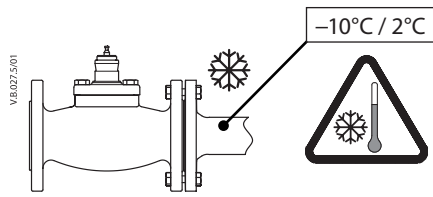
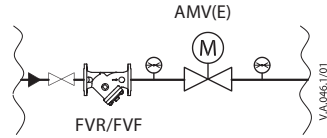
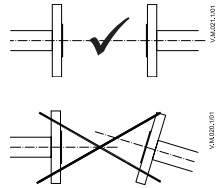
VFS2 DN 15-100



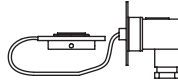
MAINTENANCE
FREE



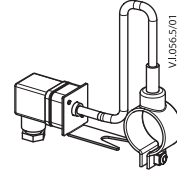
VFS2



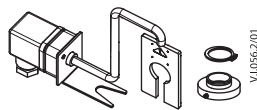
Steam heater **065B2171**



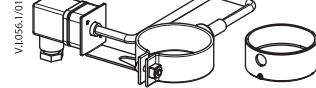
Steam heater **065Z7021**



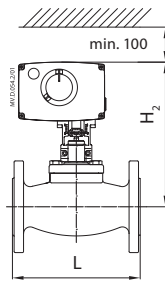
Steam heater **065Z7020**



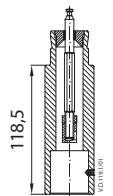
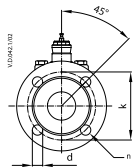
Steam heater **065Z7021**



DN	Actuators	Code No.
15-50	AMV(E) 25 (SU/SD), 35	065B2171
15-50	AMV(E) 55, 56	065Z7020
65-100	AMV(E) 55, 56, 65X	065Z7022
65-100	AMV(E) 85, 86	065Z7021

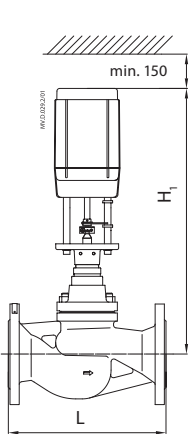


VFS 2 (DN 15-50 + AMV(E) 25, 35 (SU/SD))

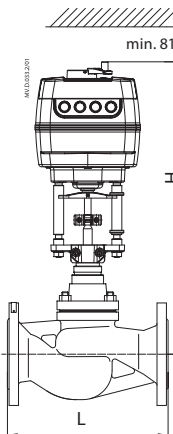


adapter **065Z7548**

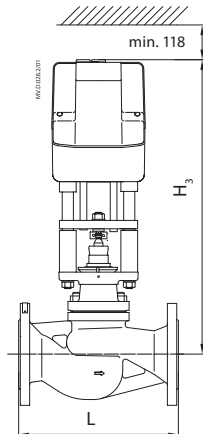
DN	L	H ₁	H ₂	k	d	n
15	130	301	237	65	14	4
20	150	301	237	75	14	4
25	160	301	237	85	14	4
32	180	323	259	100	18	4
40	200	323	259	110	18	4
50	230	323	259	125	18	4



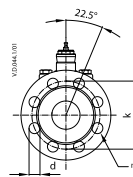
VFS 2 (DN 65-100 + AMV(E) 55, 56)



VFS 2 (DN 65-100 + AMV(E) 65X)



VFS 2 (DN 65-100 + AMV(E) 85, 86)



DN	L	H ₁	H ₂	H ₃	k	d	n
65	290	484	525	568	145	18	8
80	310	503	544	587	160	18	8
100	350	530	571	614	190	22	8

Danfoss can accept no responsibility for possible errors in catalogues, brochures and other printed material. Danfoss reserves the right to alter its products without notice. This also applies to products already on order provided that such alterations can be made without subsequential changes being necessary in specifications already agreed. All trademarks in this material are property of the respective companies. Danfoss and the Danfoss logotype are trademarks of Danfoss A/S. All rights reserved.