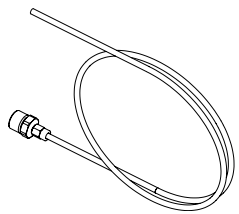



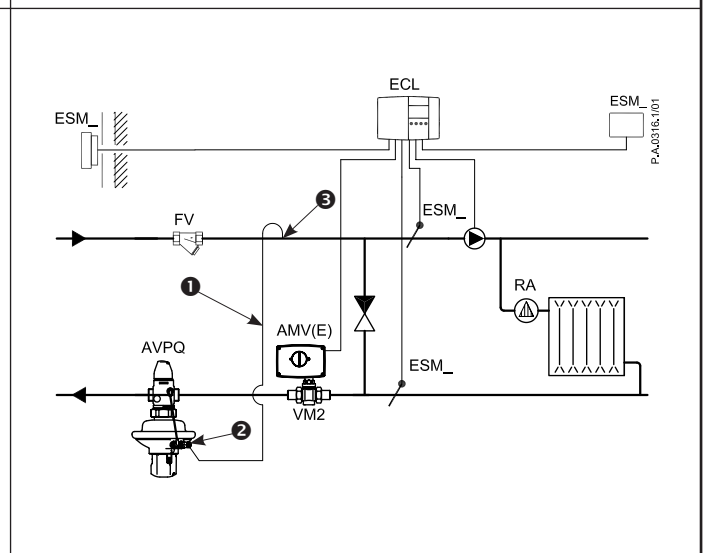
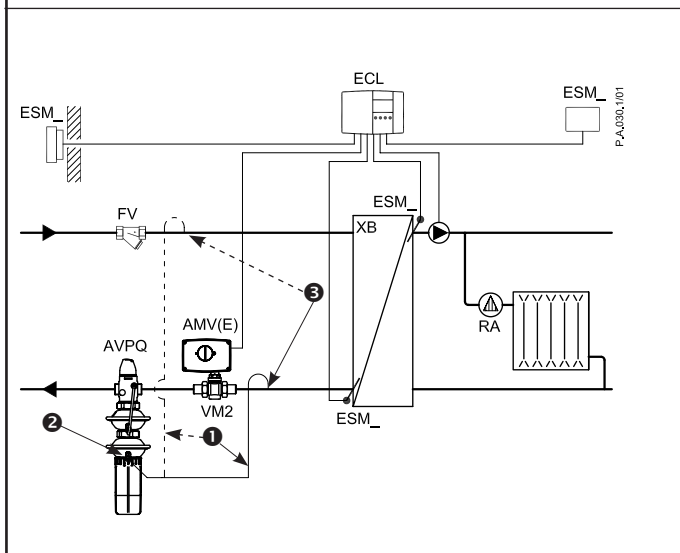
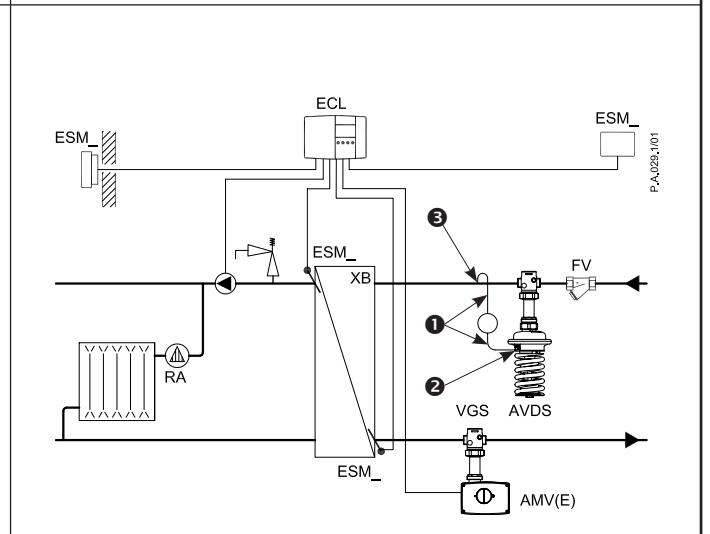
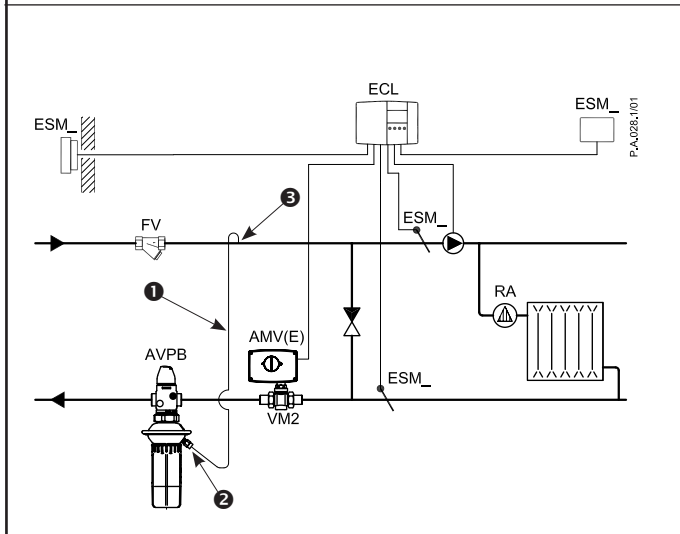
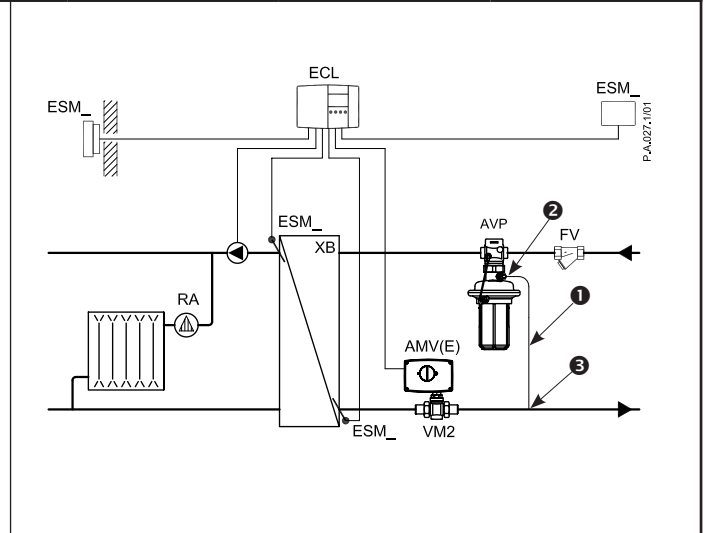
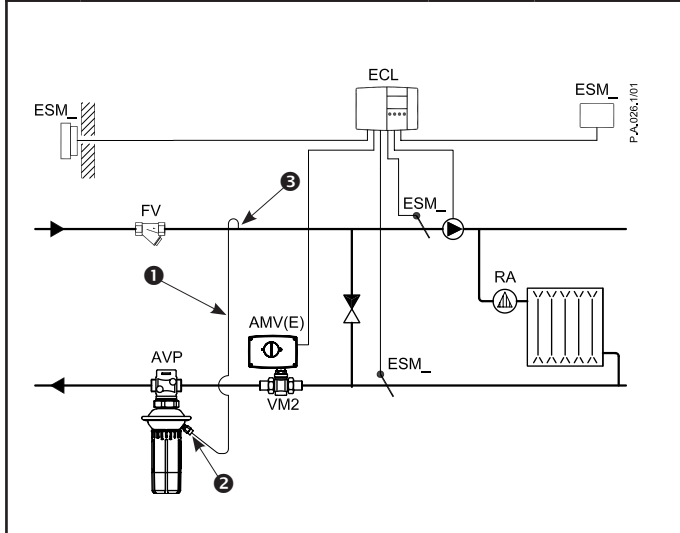


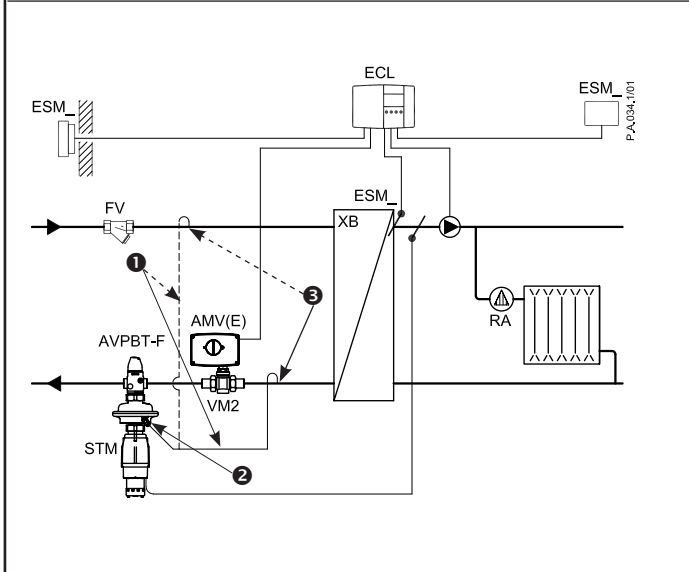
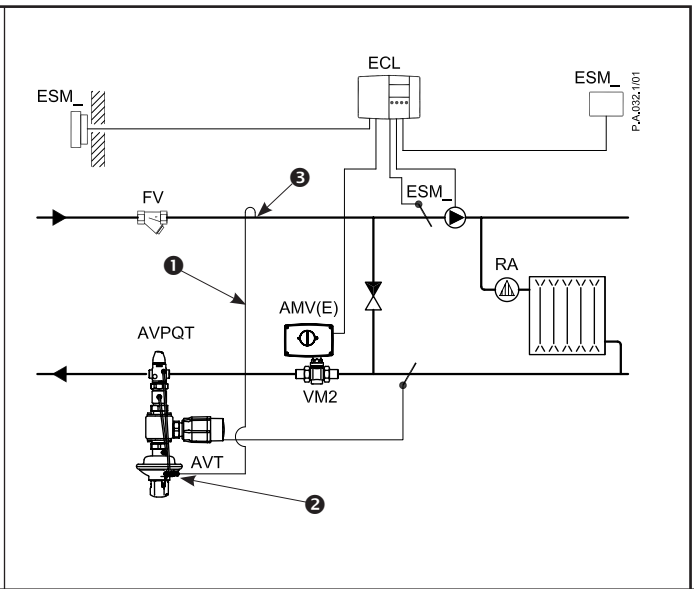
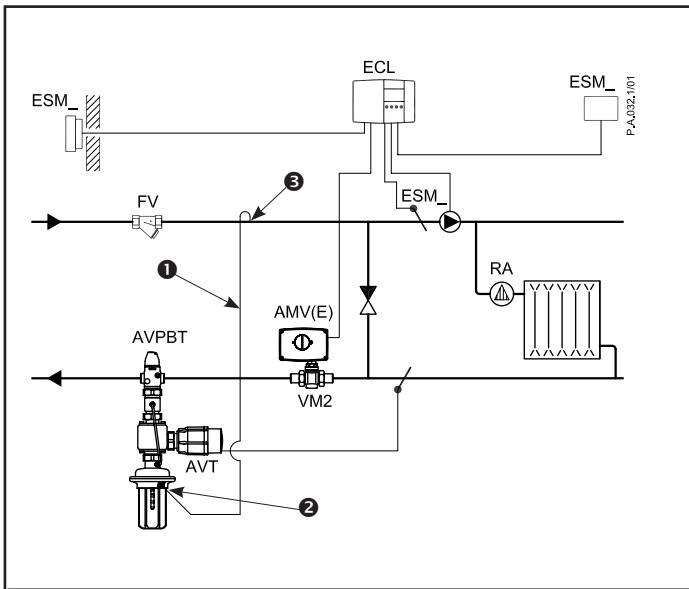
Instructions

Accessories – Catalogue

2	①		R 1/8	003H6852		SW 12 (14 Nm)	SW 10																		
			R 3/8	003H6853		SW 12 (14 Nm)	SW 17																		
			R 1/2	003H6854		SW 12 (14 Nm)	SW 22																		
			-	003H6860		SW 12 (14 Nm)	SW 12 (14 Nm)																		
	②		G 1/8	003H6931		SW 12 (14 Nm)	SW 14																		
				003H6932																					
	③		R 1/8	003H6857		SW 12 (14 Nm)	SW 10																		
			R 3/8	003H6858		SW 12 (14 Nm)	SW 17																		
			R 1/2	003H6859		SW 12 (14 Nm)	SW 22																		
4	A	<table border="1"> <thead> <tr> <th>DN (mm)</th> <th>EN 10226-1</th> </tr> </thead> <tbody> <tr> <td>15</td> <td>G 3/4</td> </tr> <tr> <td>20</td> <td>G 1</td> </tr> <tr> <td>25</td> <td>G 1 1/4</td> </tr> <tr> <td>32</td> <td>G 1 3/4</td> </tr> </tbody> </table>	DN (mm)	EN 10226-1	15	G 3/4	20	G 1	25	G 1 1/4	32	G 1 3/4	C	<table border="1"> <thead> <tr> <th>DN (mm)</th> <th>SW (mm)</th> </tr> </thead> <tbody> <tr> <td>15</td> <td>32</td> </tr> <tr> <td>20</td> <td>41</td> </tr> <tr> <td>25</td> <td>50</td> </tr> <tr> <td>32</td> <td>63</td> </tr> </tbody> </table>	DN (mm)	SW (mm)	15	32	20	41	25	50	32	63	
	DN (mm)		EN 10226-1																						
15	G 3/4																								
20	G 1																								
25	G 1 1/4																								
32	G 1 3/4																								
DN (mm)	SW (mm)																								
15	32																								
20	41																								
25	50																								
32	63																								
B																									
5																									
7																									
8																									

1		R 1/8	003H6852		SW 12 (14 Nm)	SW 10
		R 3/8	003H6853		SW 12 (14 Nm)	SW 17
		R 1/2	003H6854		SW 12 (14 Nm)	SW 22
		-	003H6860		SW 12 (14 Nm)	SW 12 (14 Nm)
2		G 1/8	003H6931		SW 12 (14 Nm)	SW 14
			003H6932			
3		R 1/8	003H6857		SW 12 (14 Nm)	SW 10
		R 3/8	003H6858		SW 12 (14 Nm)	SW 17
		R 1/2	003H6859		SW 12 (14 Nm)	SW 22



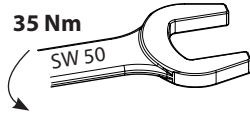
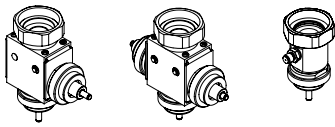


A	B	C	A	B	C																				
			<table border="1" style="font-size: small;"> <thead> <tr> <th>DN (mm)</th> <th>EN 10226-1</th> </tr> </thead> <tbody> <tr> <td>15</td> <td>G 3/4</td> </tr> <tr> <td>20</td> <td>G 1</td> </tr> <tr> <td>25</td> <td>G 1 1/4</td> </tr> <tr> <td>32</td> <td>G 1 3/4</td> </tr> </tbody> </table>	DN (mm)	EN 10226-1	15	G 3/4	20	G 1	25	G 1 1/4	32	G 1 3/4	<table border="1" style="font-size: small;"> <thead> <tr> <th>DN (mm)</th> <th>SW (mm)</th> </tr> </thead> <tbody> <tr> <td>15</td> <td>32</td> </tr> <tr> <td>20</td> <td>41</td> </tr> <tr> <td>25</td> <td>50</td> </tr> <tr> <td>32</td> <td>63</td> </tr> </tbody> </table>	DN (mm)	SW (mm)	15	32	20	41	25	50	32	63	
DN (mm)	EN 10226-1																								
15	G 3/4																								
20	G 1																								
25	G 1 1/4																								
32	G 1 3/4																								
DN (mm)	SW (mm)																								
15	32																								
20	41																								
25	50																								
32	63																								

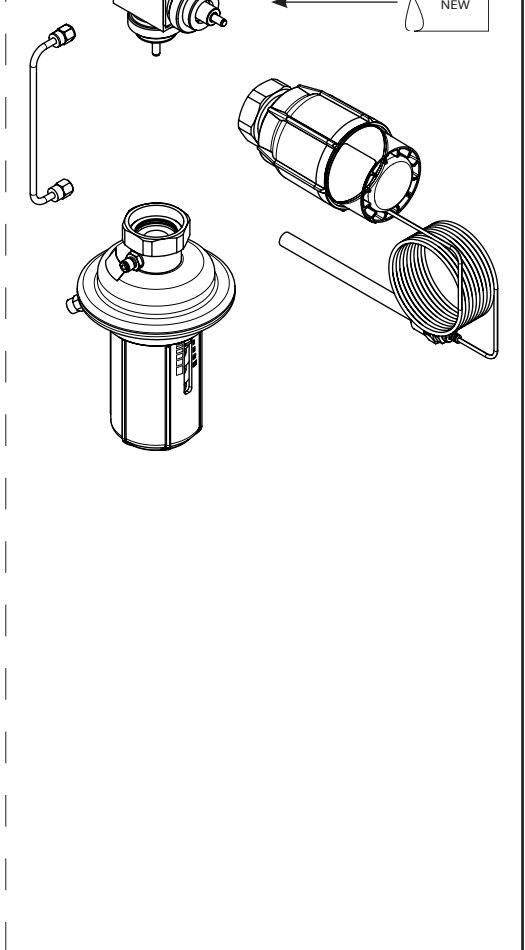
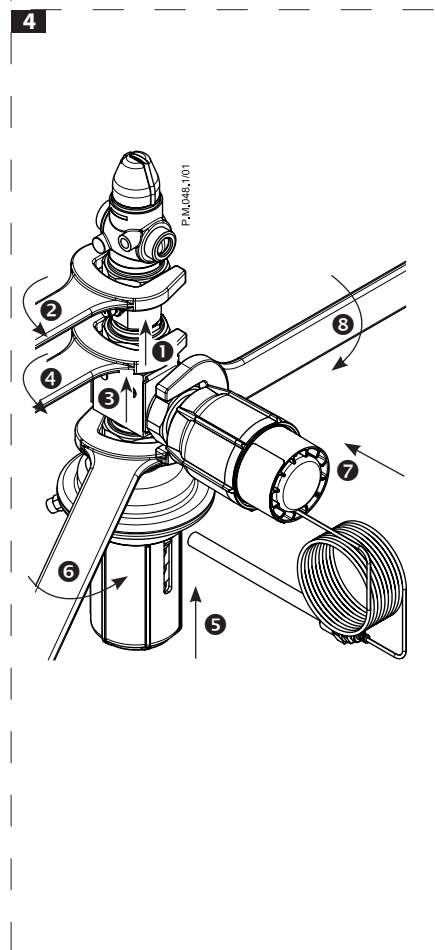
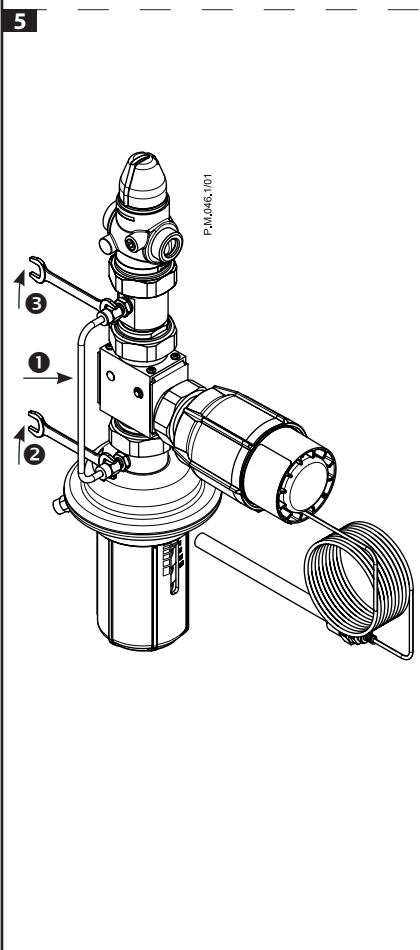
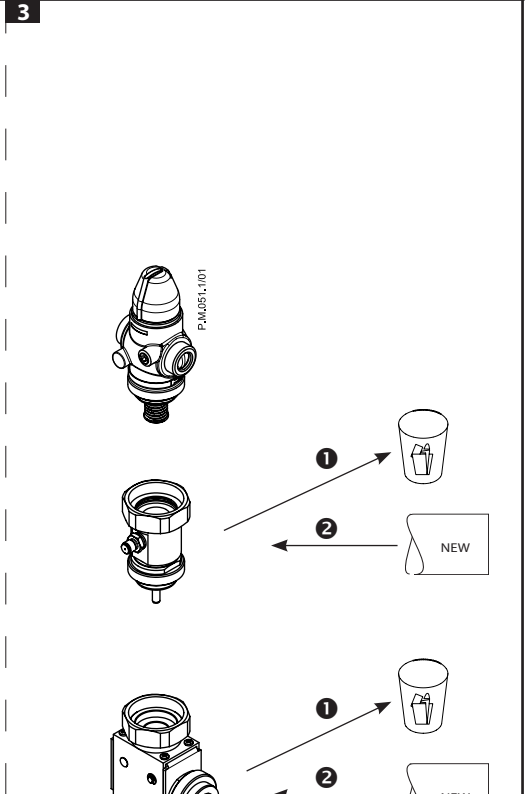
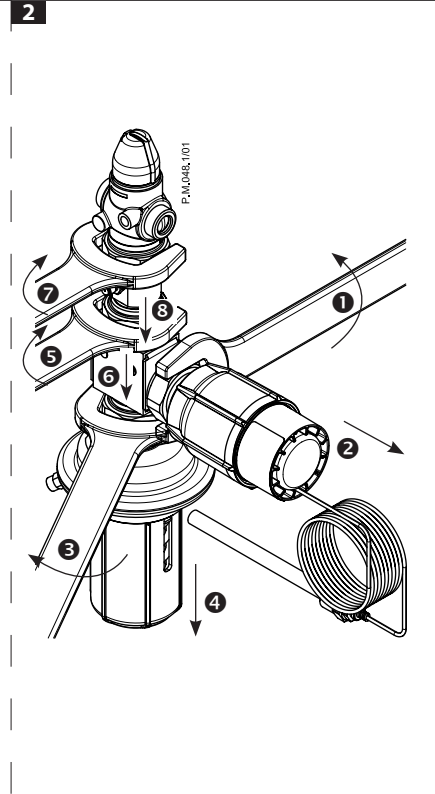
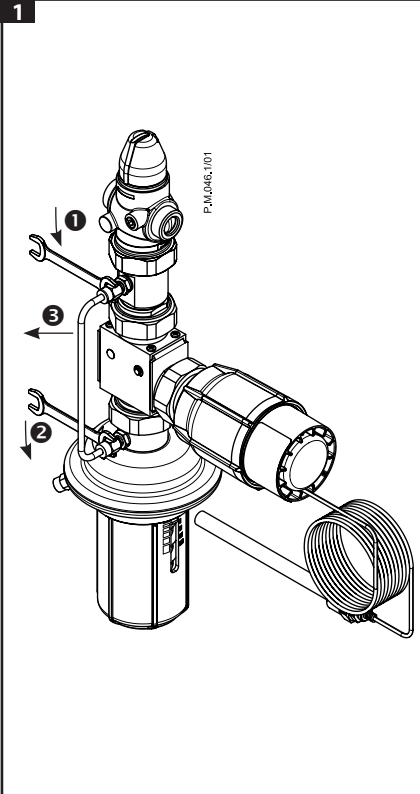
A	2

B	2

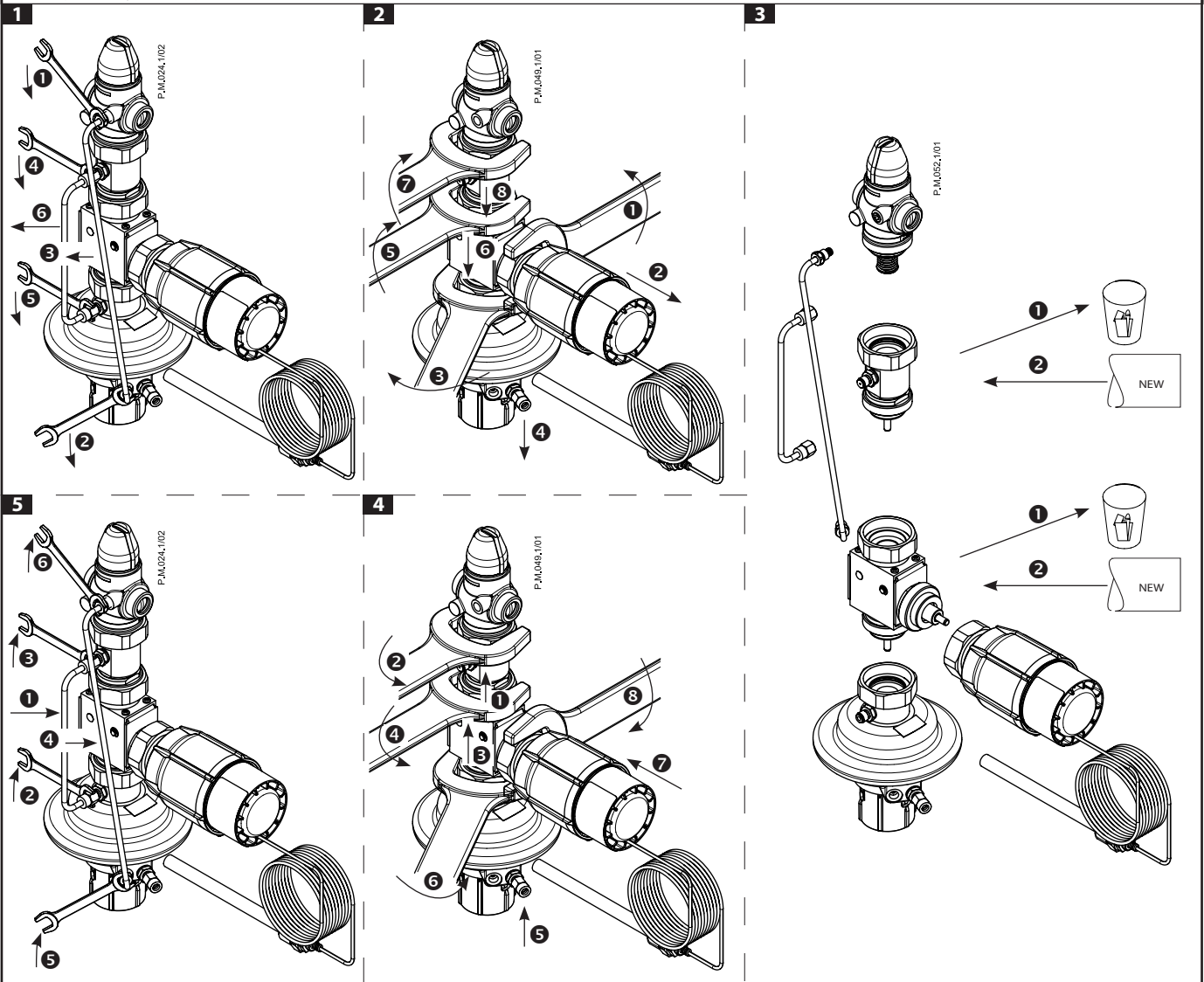
C	2



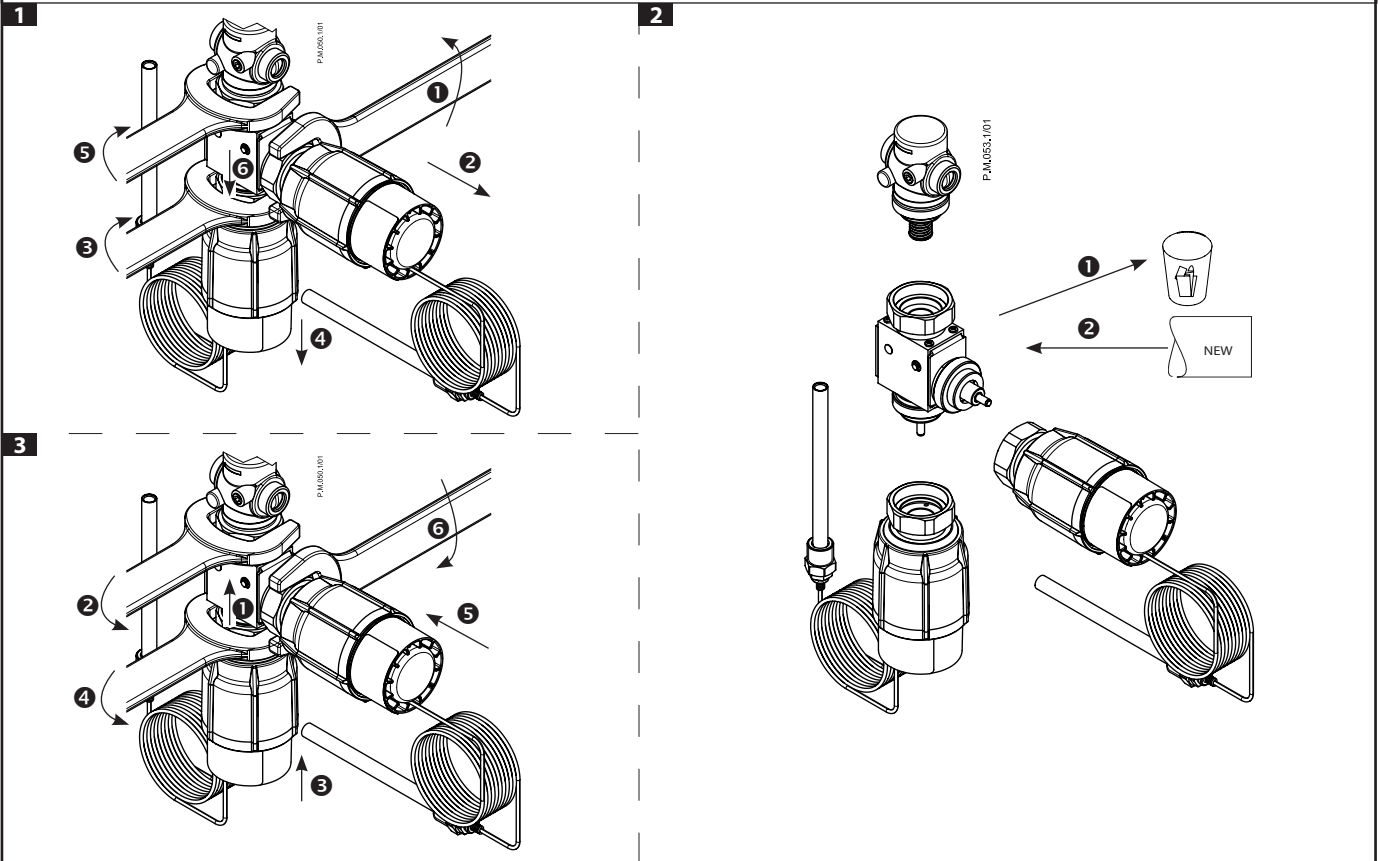
AVPBT/AVT, AVPBT/STM

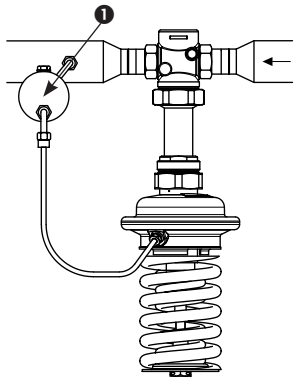
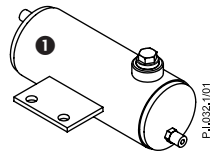


AVPQT/AVT, AVPQT/STM

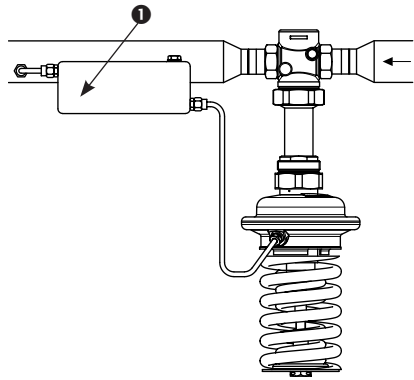


AVT/AVT/VG(F), AVT/AVT/VGS, STM/AVT/VG(F), STM/AVT/VGS

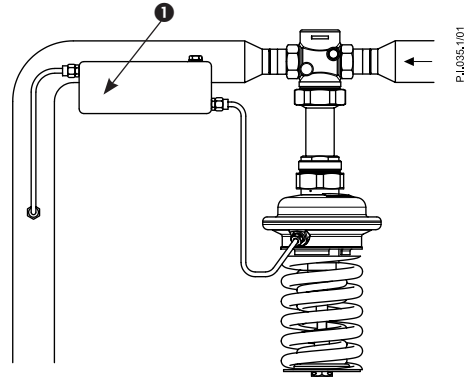




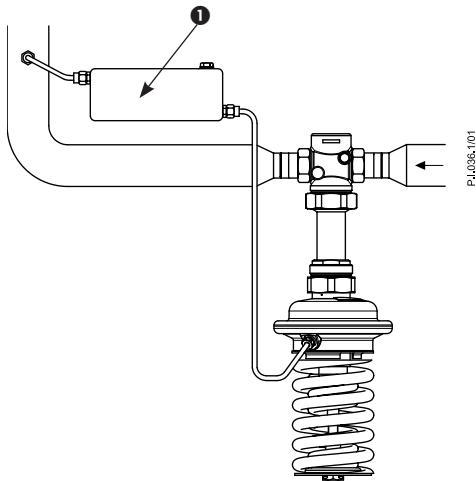
P.LJ.033.1/01



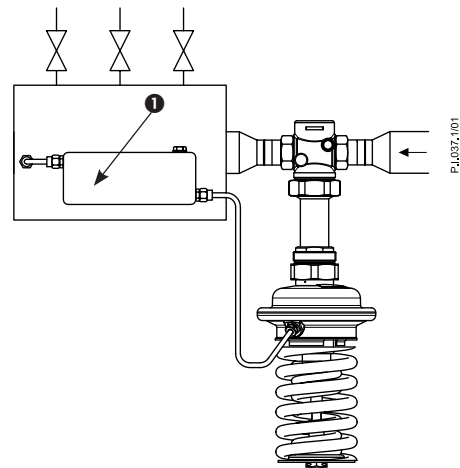
P.LJ.034.1/01



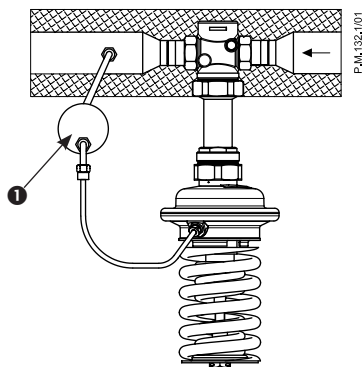
P.LJ.035.1/01



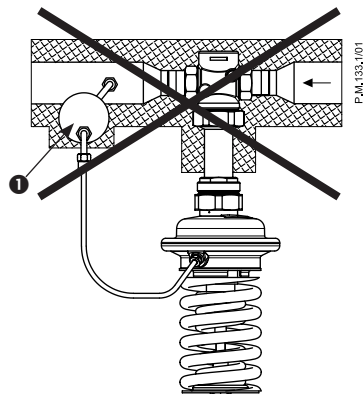
P.LJ.036.1/01



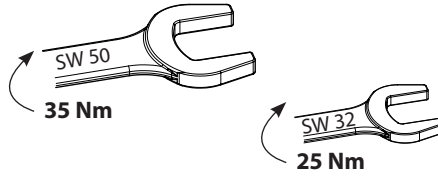
P.LJ.037.1/01



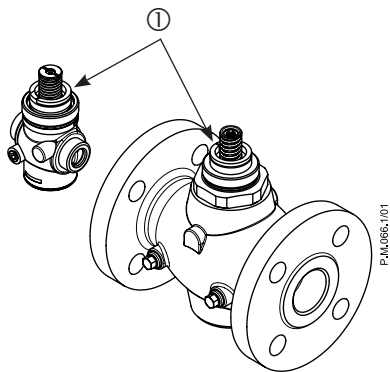
P.M.132.1/01



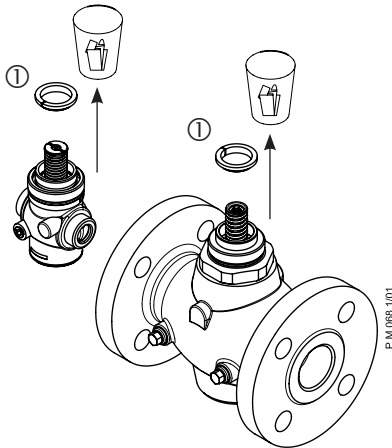
P.M.133.1/01



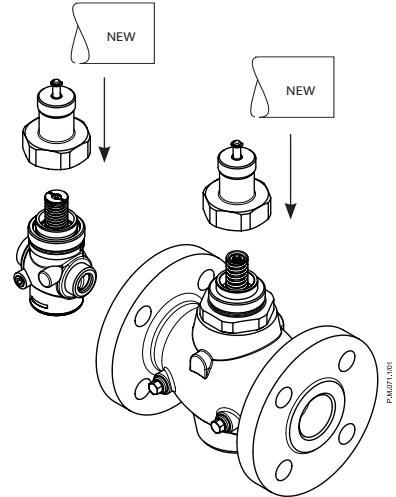
1



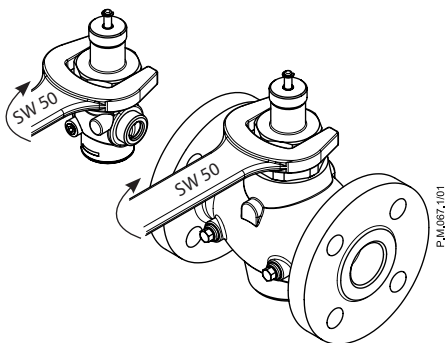
2



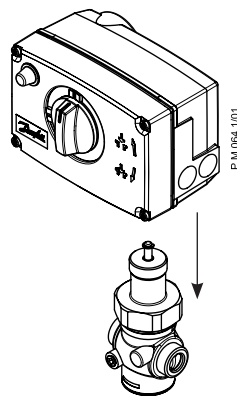
3



4



5



6

