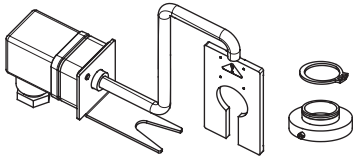


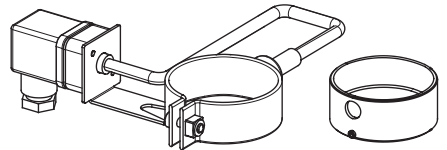
# Installation Guide

## Steam heater - AMV(E) 55/56/655/658/659

**065Z7020**

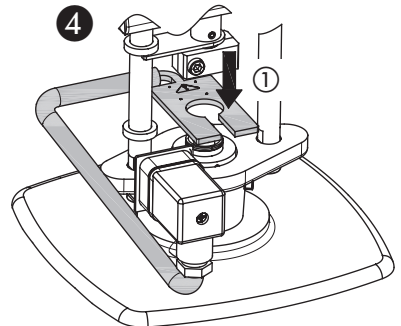
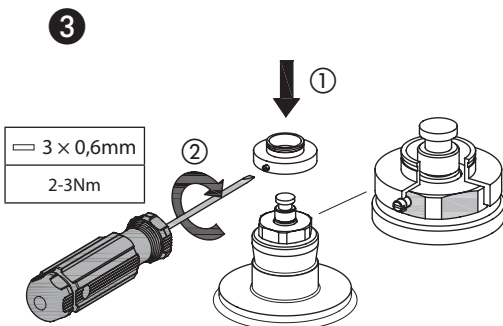
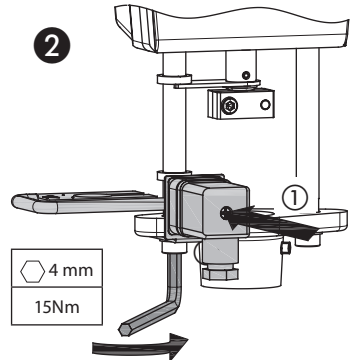
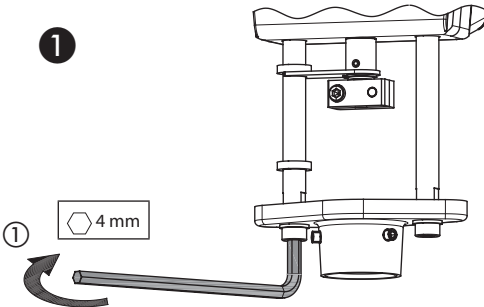


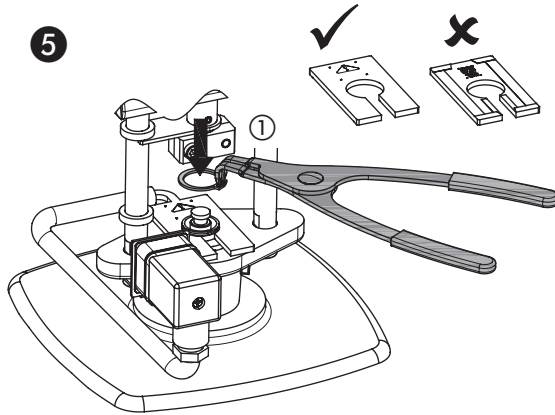
**065Z7022**



**065Z7020 - AMV(E) 55/56 - VF / VL DN100**

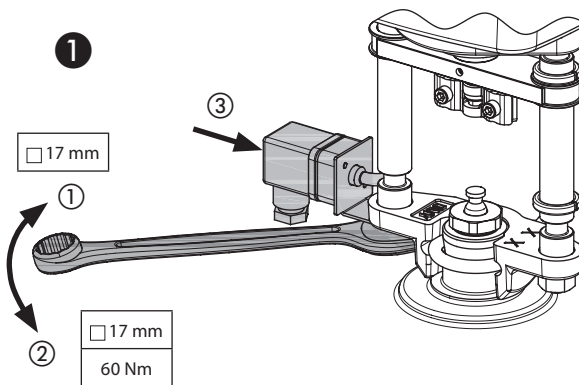
	=	
		⬡ 4 mm
		— 3 × 0,6mm



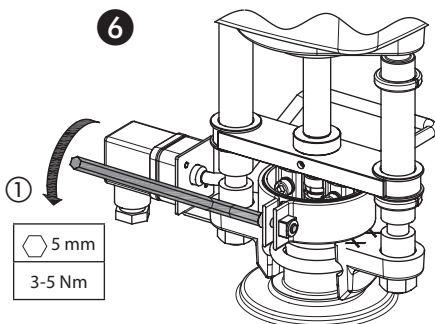
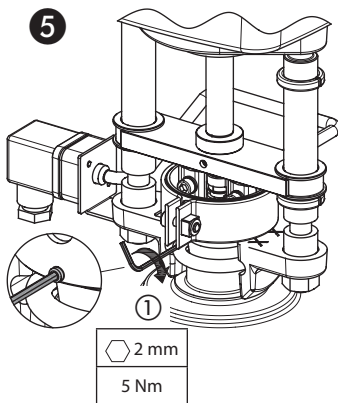
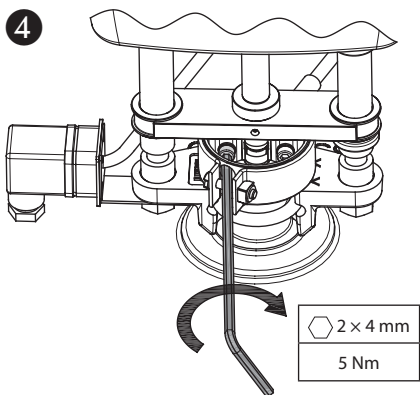
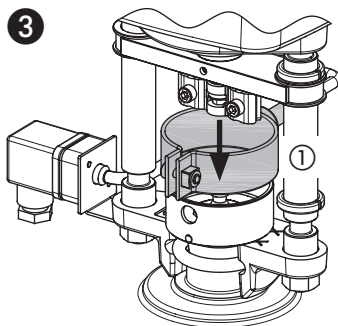
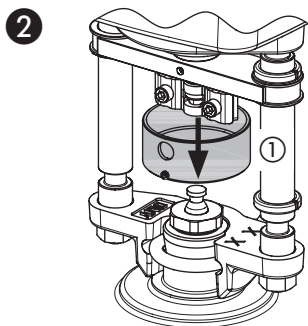


**065Z7022** - AMV(E) 655,658,659 & VF / VL DN 100, VFM2 DN 65-125

	=	
		○ 2 mm
		○ 4 mm
		○ 5 mm
		□ 17 mm



Installation Guide AMV(E) 55/56/655/658/659



# Installation Guide **AMV(E) 55/56/655/658/659**

**065Z7022** - AMV(E) 655,658,659 - VFM2 DN 150-250

	=
	⬢ 5 mm
	□ 17 mm

