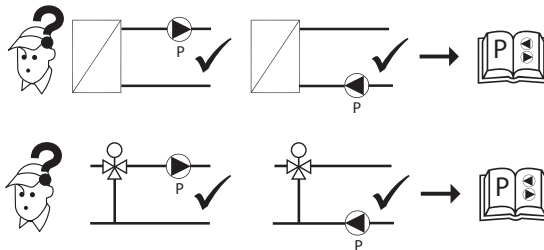
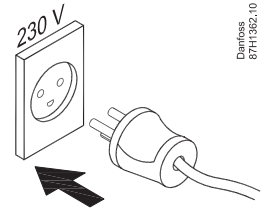
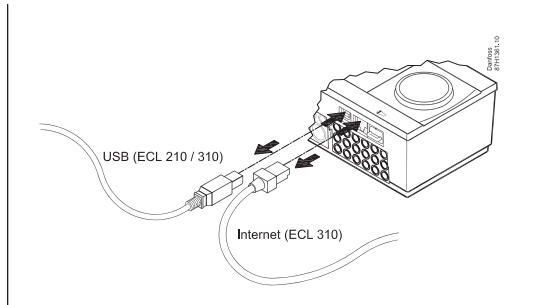
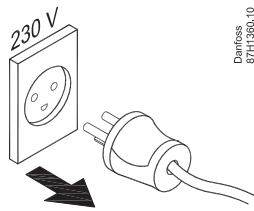
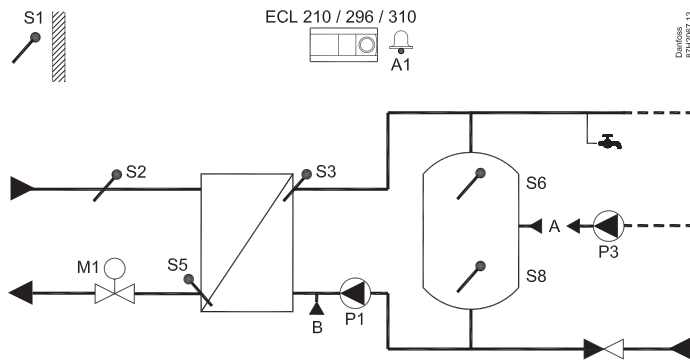


Installation Guide

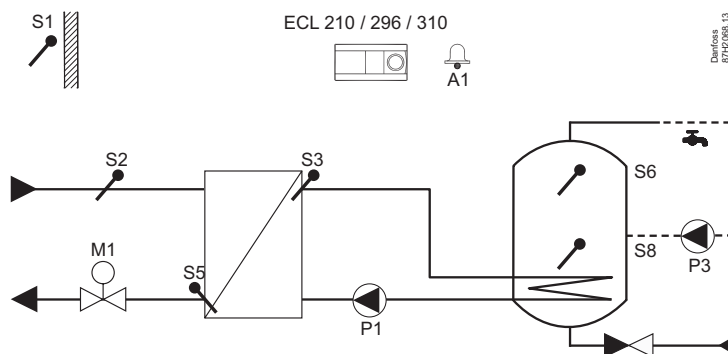
ECL Comfort 210 / 296 / 310, A217 / A317 (code no. 087H3807)



A217.1 / A317.1 (ex. a):

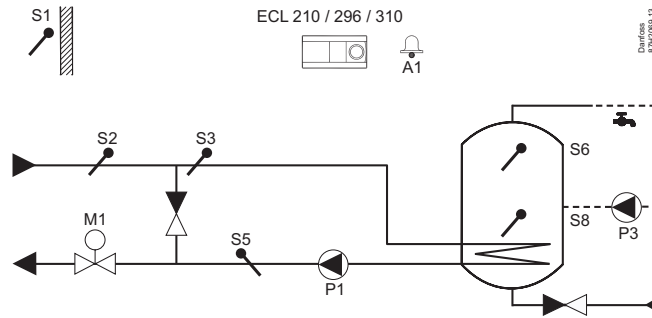


A217.1 / A317.1 (ex. b):

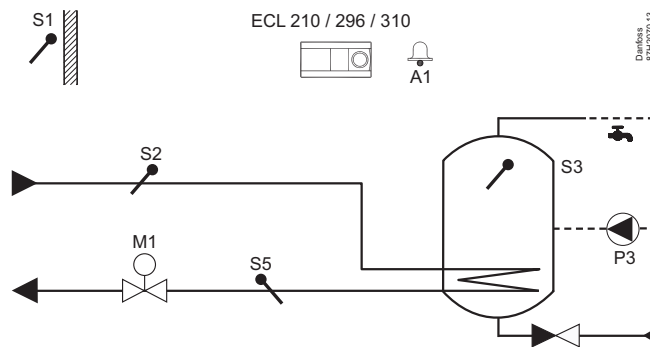


Installation Guide, ECL 210 / 296 / 310, A217 / A317

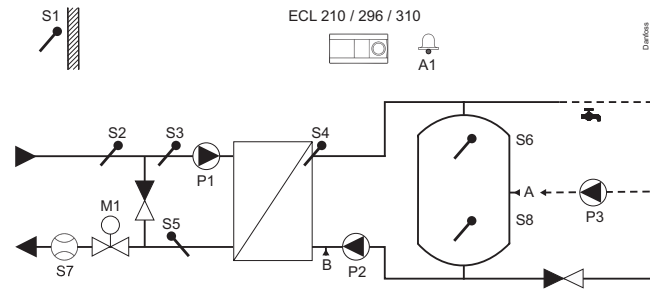
A217.1 / A317.1 (ex. c):



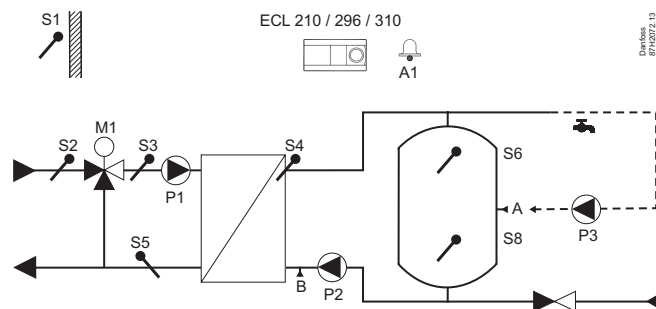
A317.1 (ex. d):



A217.2 / A317.2 (ex. a):

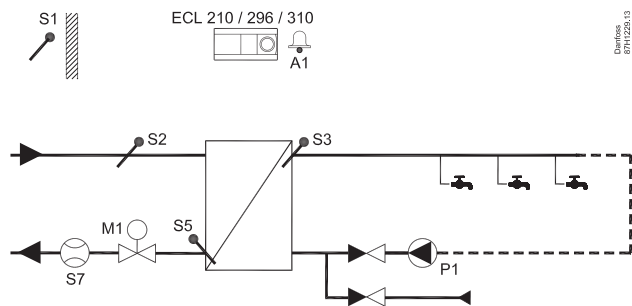


A217.2 / A317.2 (ex. b):

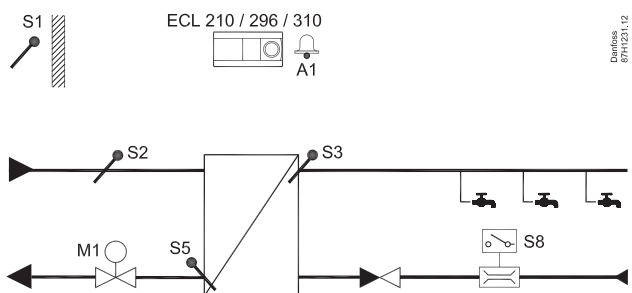


Installation Guide, ECL Comfort 210 / 296 / 310, A217 / A317

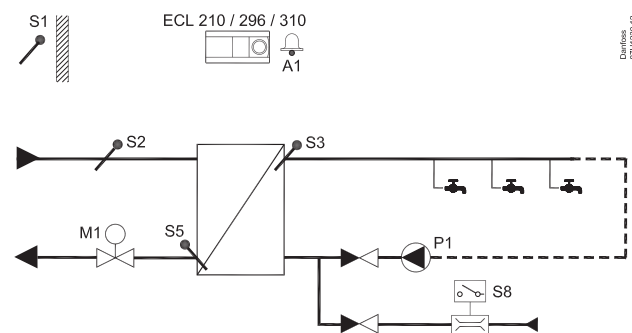
A217.3 (ex. a):



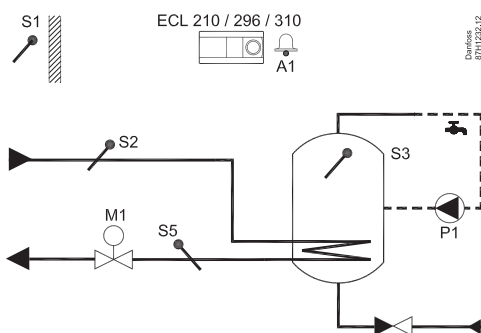
A217.3 (ex. b):



A217.3 (ex. c):



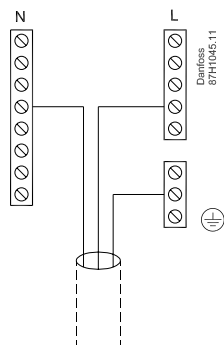
A217.3 (ex. d):



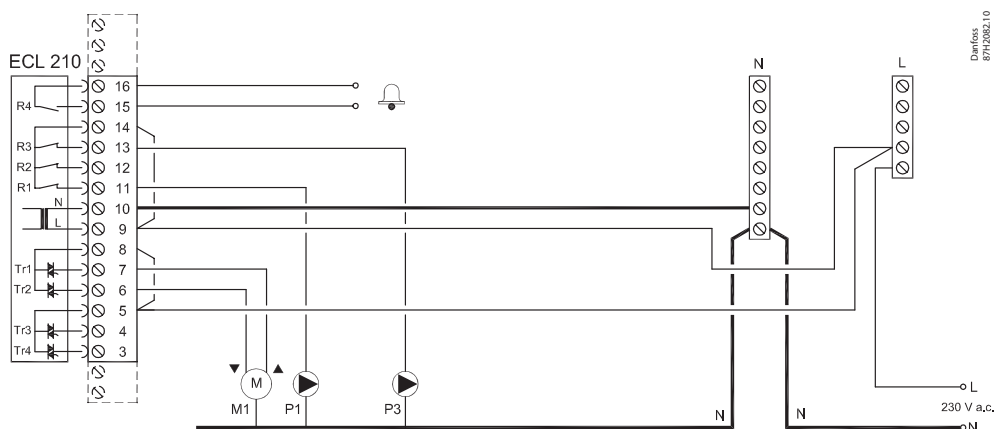
Installation Guide, ECL Comfort 210 / 296 / 310, A217 / A317

ECL Comfort 210 / 296 / 310: 230 V a.c.

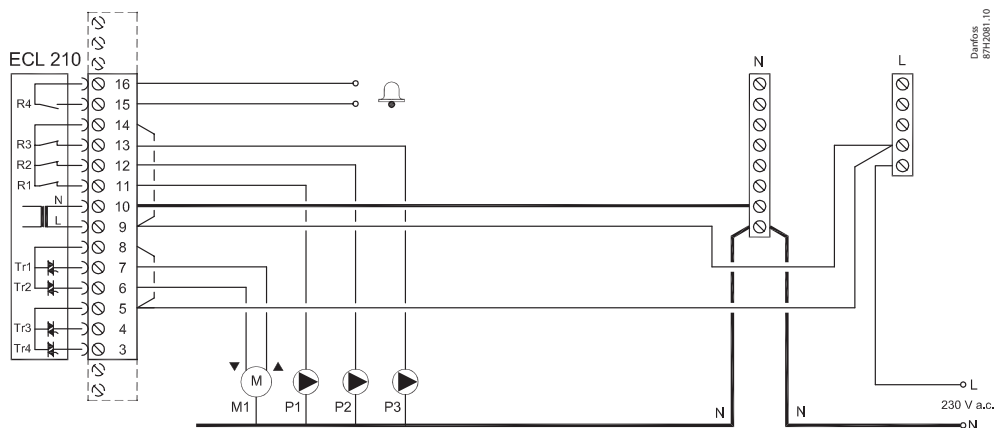
R		4 (2) A / 230 V a.c.
R		
Tr		0,2 A / 230 V a.c.



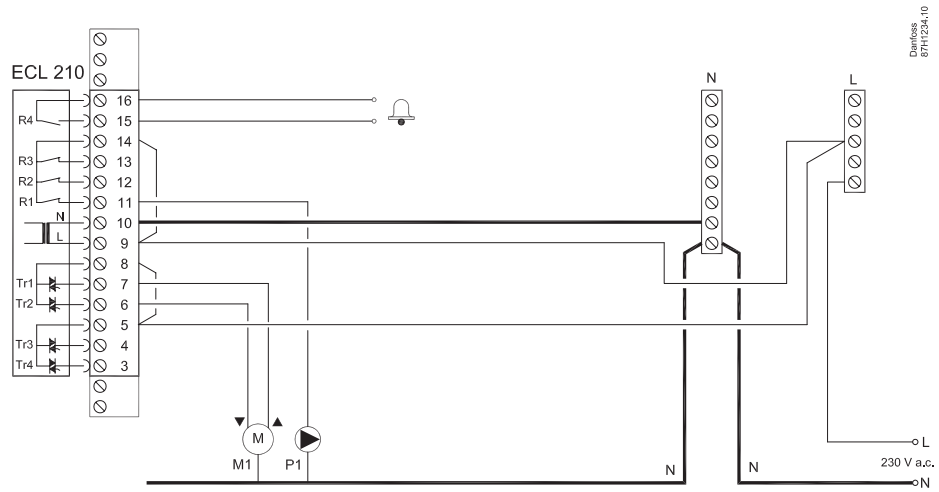
230 V a.c., A217.1



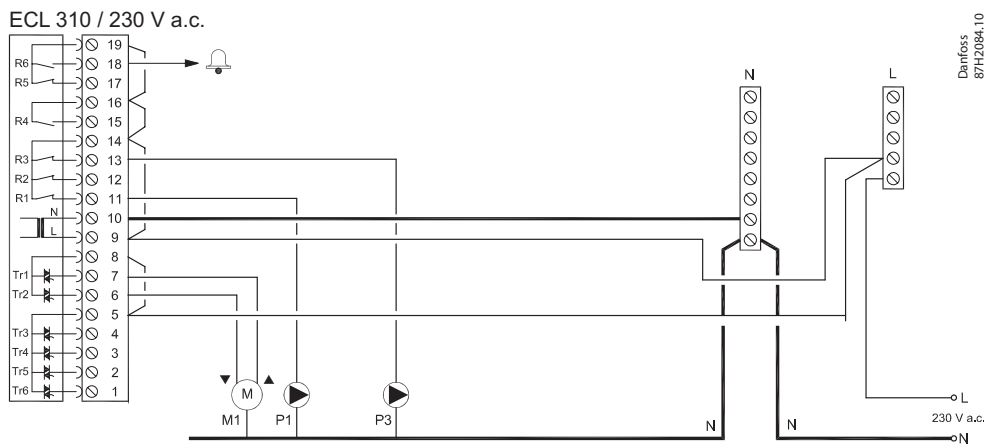
230 V a.c., A217.2



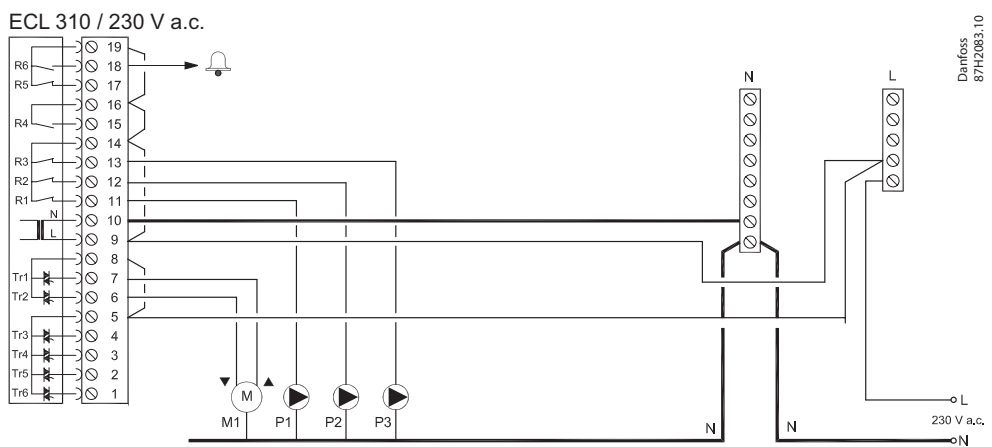
230 V a.c., A217.3



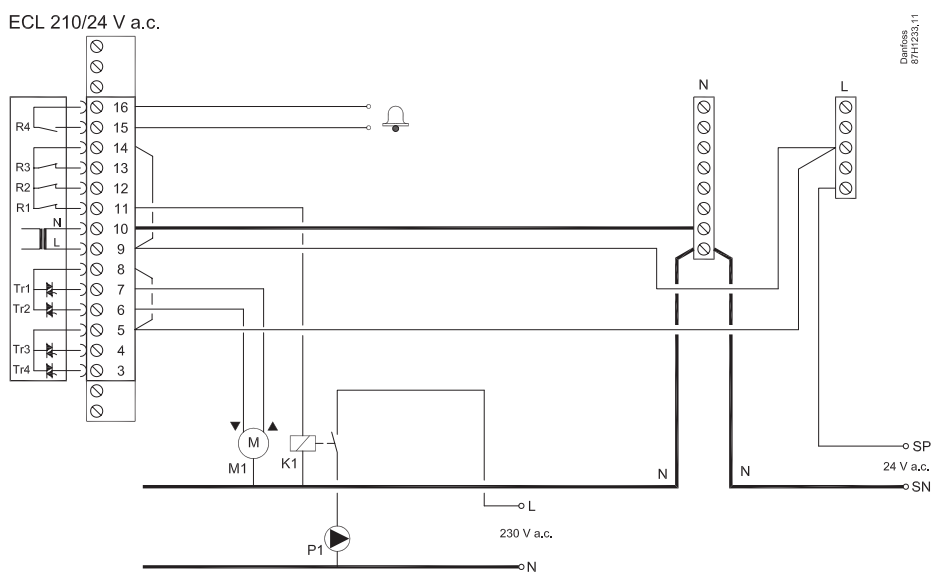
230 V a.c., A317.1



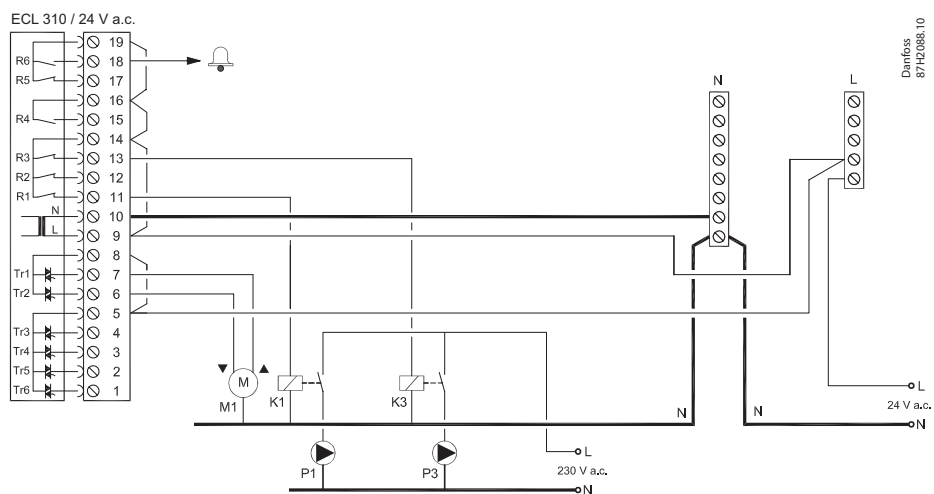
230 V a.c., A317.2



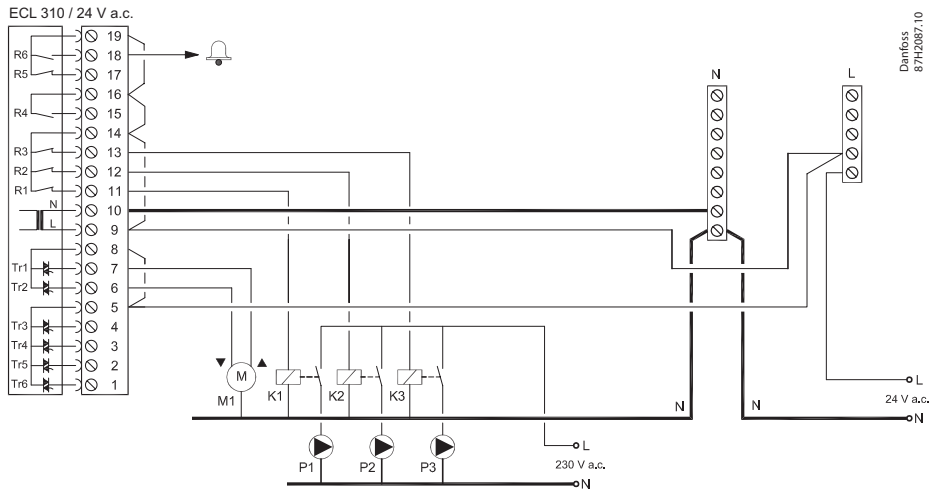
24 V a.c., A217.3



24 V a.c., A317.1

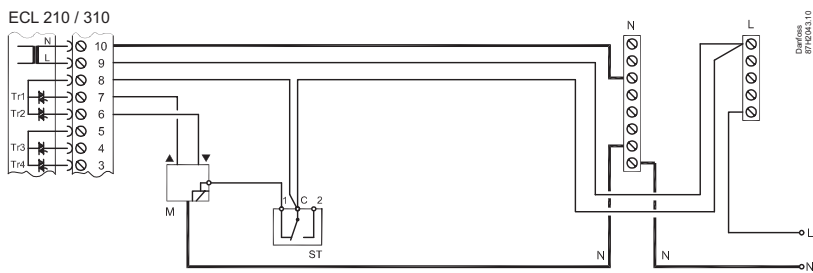


24 V a.c., A317.2



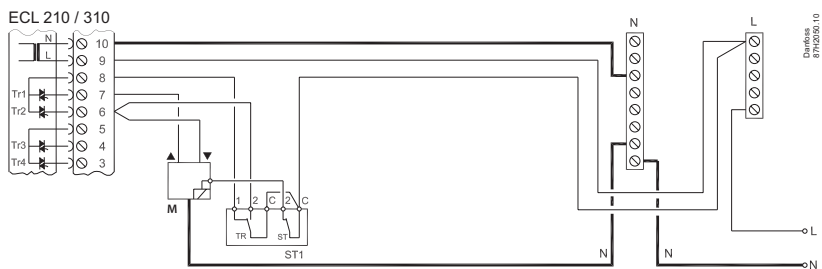
24 V a.c. / 230 V a.c. safety thermostat

1-step closing



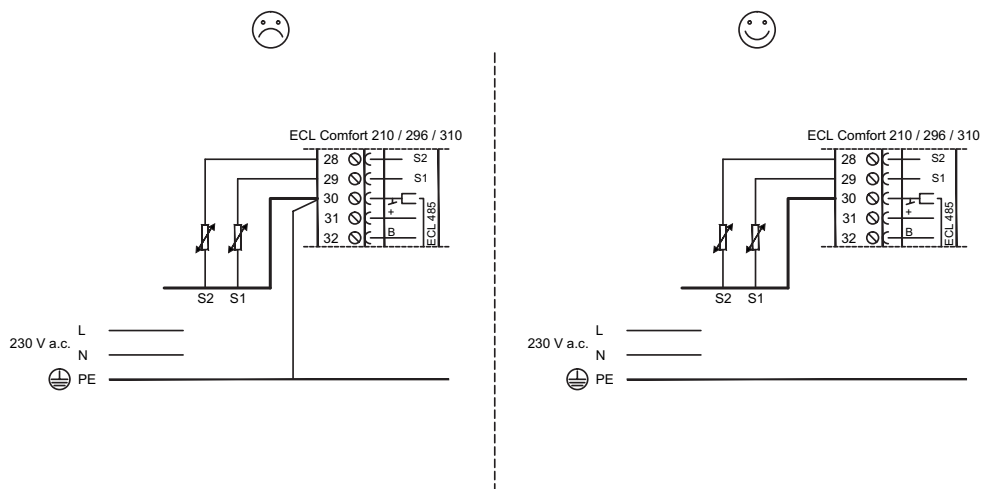
24 V a.c. / 230 V a.c. safety thermostat

2-step closing



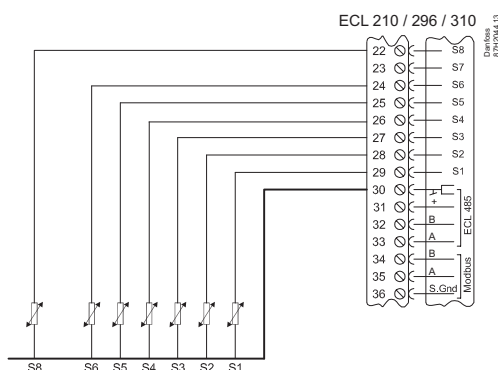
Installation Guide, ECL Comfort 210 / 296 / 310, A217 / A317

Pt 100 (1000 Ω / 0 °C)

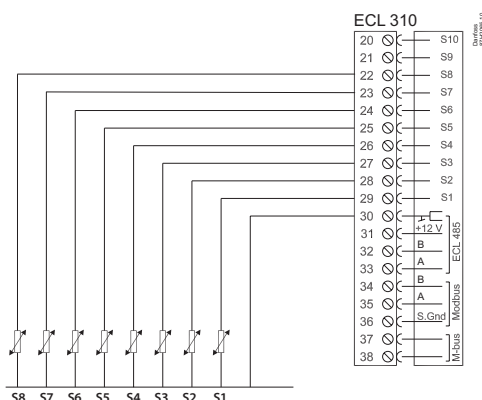


Danfoss
87H1487.11

Pt 100 (1000 Ω / 0 °C)
A217.1

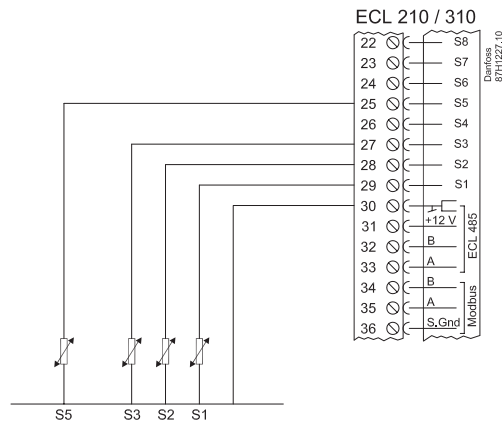


Pt 100 (1000 Ω / 0 °C)
A217.2

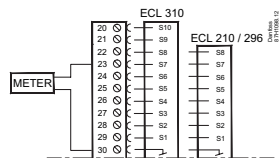
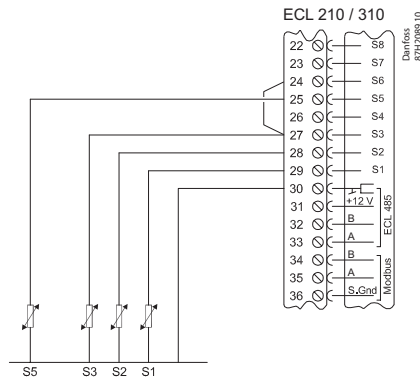


Installation Guide, ECL Comfort 210 / 296 / 310, A217 / A317

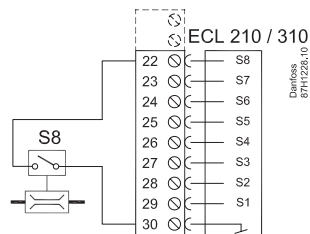
Pt 1000 (1000 Ω / 0 °C)
A217.3



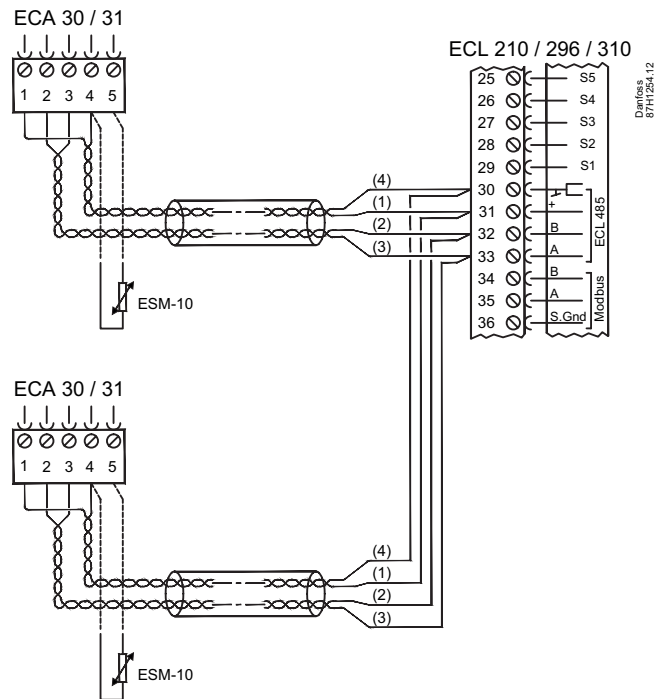
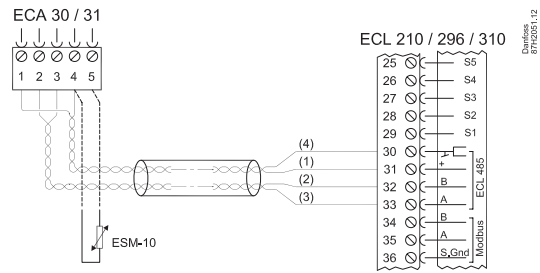
A217.1 / A317.1 (ex. d):



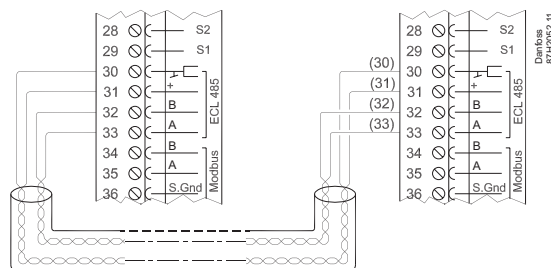
A217.3



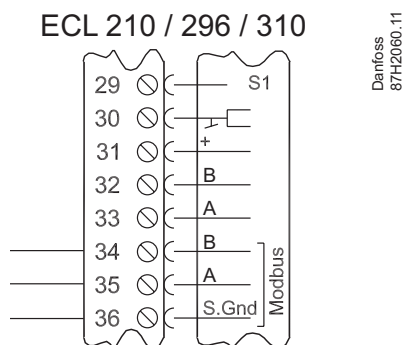
ECA 30 / 31



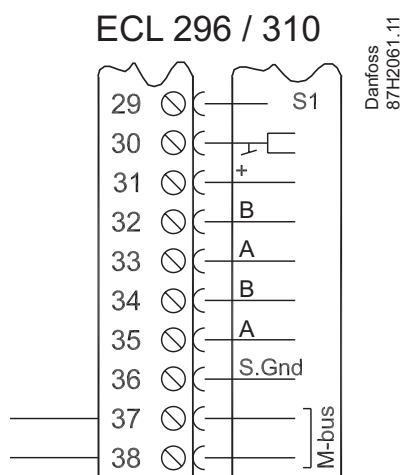
Master / slave



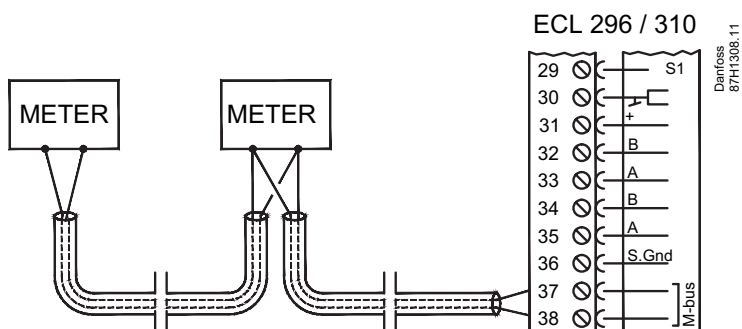
Modbus



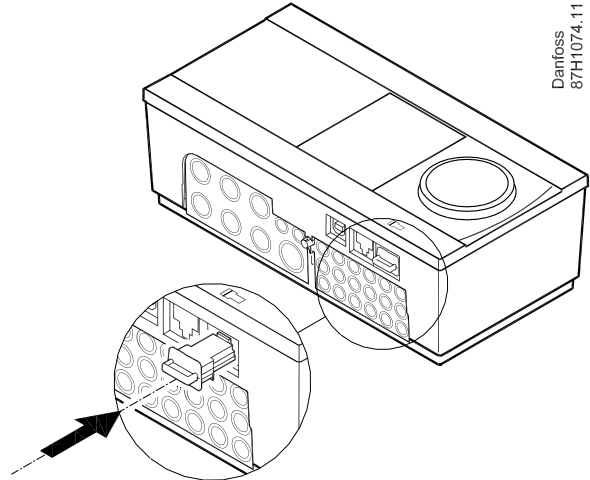
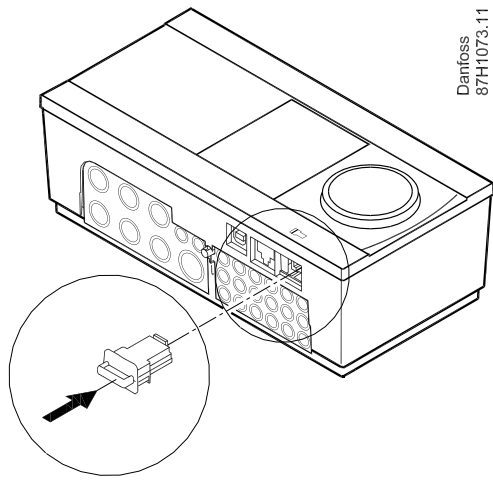
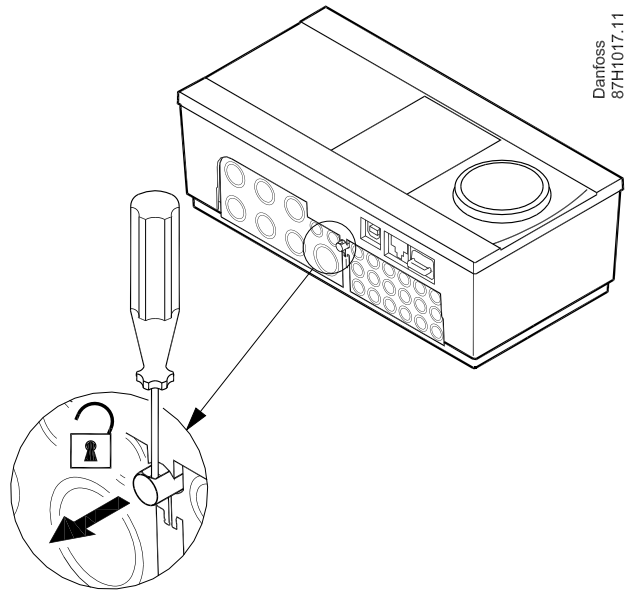
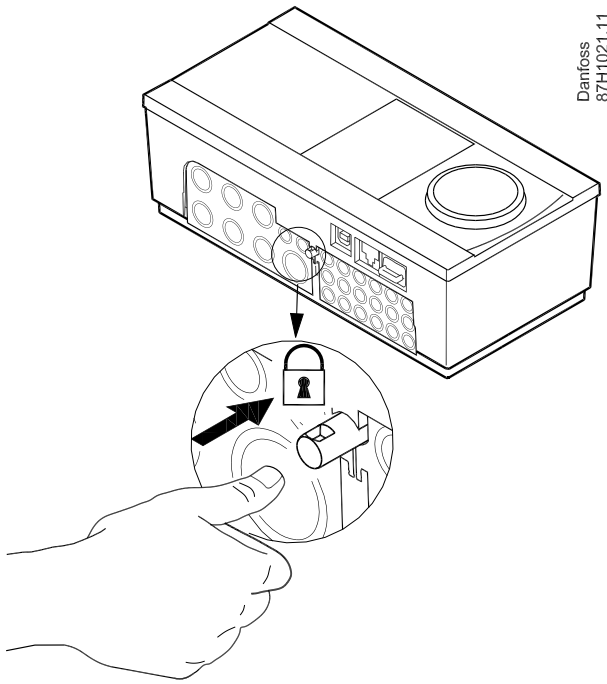
M-bus



M-bus



Installation Guide, ECL Comfort 210 / 296 / 310, A217 / A317



? **ECL Comfort 210 / 296 / 310, A217 / A317: www.heating.danfoss.com**



Danfoss A/S
Heating Segment • heating.danfoss.com • +45 7488 2222 • E-Mail: heating@danfoss.com

Danfoss can accept no responsibility for possible errors in catalogues, brochures and other printed material. Danfoss reserves the right to alter its products without notice. This also applies to products already on order provided that such alterations can be made without subsequential changes being necessary in specifications already agreed. All trademarks in this material are property of the respective companies. Danfoss and all Danfoss logotypes are trademarks of Danfoss A/S. All rights reserved.