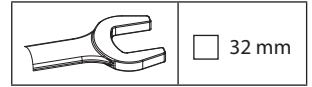


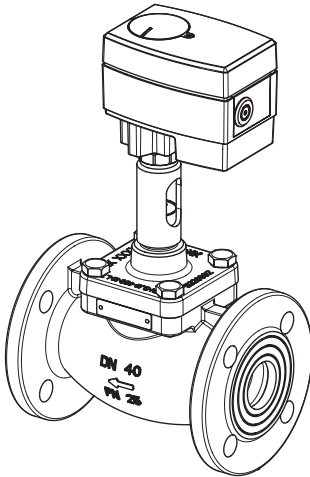
## Installation Guide

### High temperature adapter 065Z7547

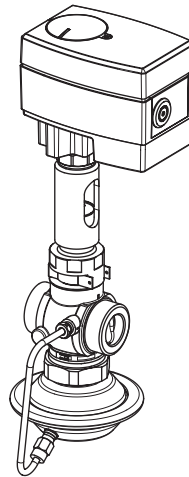


T = 150°C

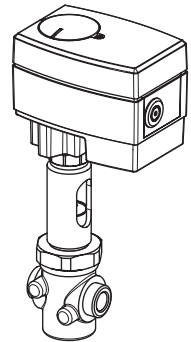
Adapter **065Z7547**



Adapter  
+  
VB2  
+  
AMV(E) 10, 13



Adapter  
+  
AVQM  
+  
AMV(E) 10, 13



Adapter  
+  
VM2  
+  
AMV(E) 10, 13

# Installation Guide High temperature adapter 065Z7547

