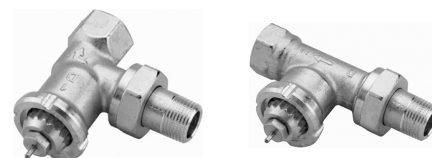


Data Sheet

Return Temperature Limiter Type FJVR - Sensor and Valve Body

Application



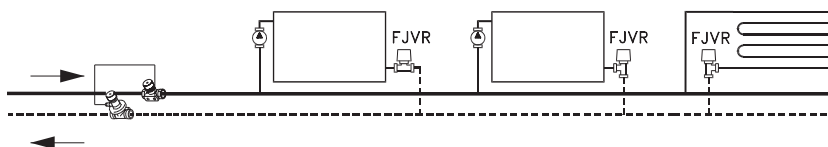
The return limiter type FJVR automatically controls the return temperature from radiators, convectors and floor heating pipes.

FJVR is a self-acting P-band regulator, used in 2-pipe systems with pump.

In ventilation systems FJVR ensures a certain minimal circulation in the pipe system up to the heat exchanger.

Setting can be limited and locked.
FJVR valve bodies are nickel-plated.

System



Data and Ordering

Sensors

Type	Colour	Setting range	Code no.
FJVR Return Temperature Limiter	White RAL 9010	10 - 50 °C	003L1040
	White RAL 9010	10 - 80 °C	003L1070
	Chrome	10 - 50 °C	003L1072

Valve bodies

Valve bodies	Connections		$k_{vs}^{2)}$	Max. pressure			Max. water temp.	Code no.
	Inlet	Outlet ¹⁾		Working	Different. ³⁾	Test		
FJVR 10, angle	R ³ / ₈	R _p ³ / ₈	0.39	10 bar	1 bar	16 bar	120 °C	003L1009
FJVR 10, straight								003L1010
FJVR 15, angle	R ¹ / ₂	R _p ¹ / ₂	0.68	10 bar	1 bar	16 bar	120 °C	003L1013
FJVR 15, straight								003L1014

¹⁾ Outlet connection is prepared for Danfoss compression fittings.

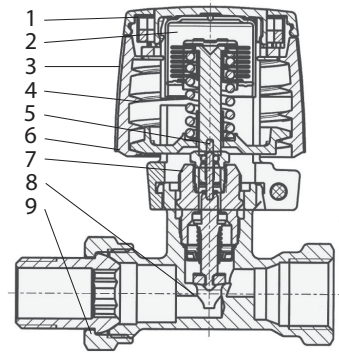
²⁾ The k_v -value indicates the water flow (Q) in m³/h at a pressure drop (Δp) across the valve of 1 bar.

³⁾ The max. differential pressure indicates the limit for an optimal valve performance. To ensure quiet operation it is recommended to choose a pump which provides the correct pressure to circulate the required flow of water. In most systems a differential pressure of 0.1-0.3 bar is sufficient. The differential pressure may be reduced by using Danfoss differential pressure controls.

Spare parts

Product	Code no.
Gland seal (10 pcs.)	013G0290

Design



- 1. Sensor
- 2. Bellows
- 3. Setting handle
- 4. Spring
- 5. Pressure pin
- 6. Gland seal
- 7. Valve top
- 8. Valve cone
- 9. Valve body

The return temperature limiter includes a thermo-static element type FJVR and a valve body type FJVR 10. The element and the valve body are ordered separately. The gland of the valve can be exchanged without draining down system.

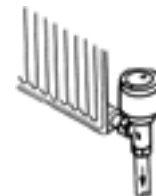
Valve body and other metal parts	Ms 58
Pressure pin in gland seal	Chrome steel
O-ring	EPDM
Valve cone	NBR

Materials in contact with water

Mounting



Straight valve



Angle valve

FJVR is mounted in the radiator outlet. The valve and sensor can be fitted in any position as long as flow direction is observed.

During construction, the heat can be controlled by turning the slotted screw in the valve cap, prior to fitting the element.

Setting

FJVR 003L1070

1	2	3	4	5	6	7	8
10	20	30	40	45	50	60	65 70 80 °C

FJVR 003L1040 / 003L1072

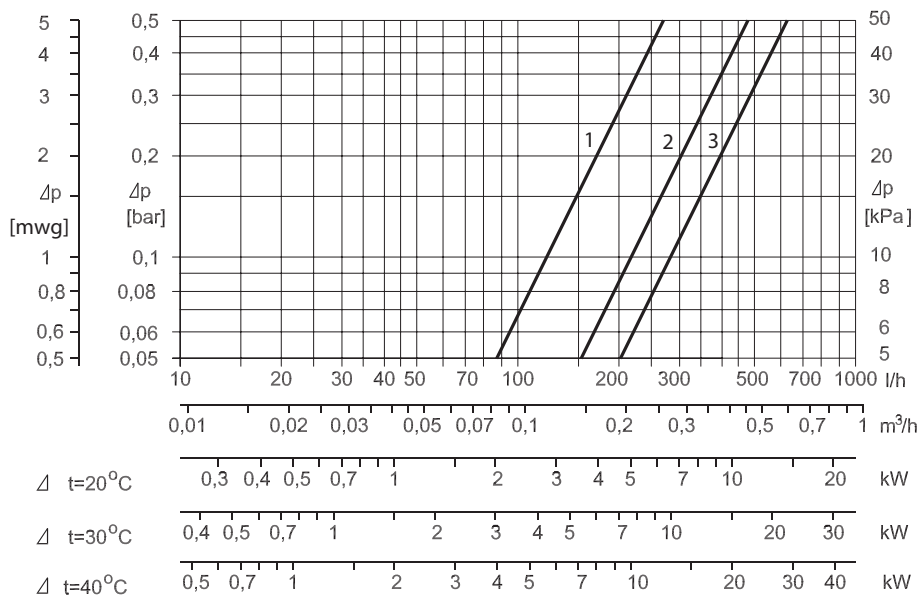
1	2	3	4
10	20	30	40 45 50 °C

Frost protection setting = 10 °C

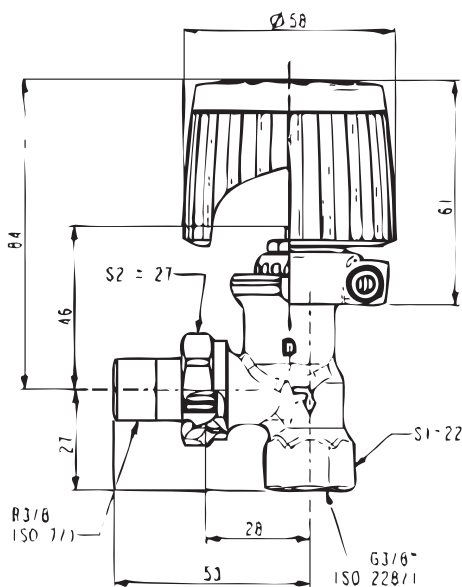
Required return water temperature can be set by turning the dial.

The scale figure indications appear as in the illustration.

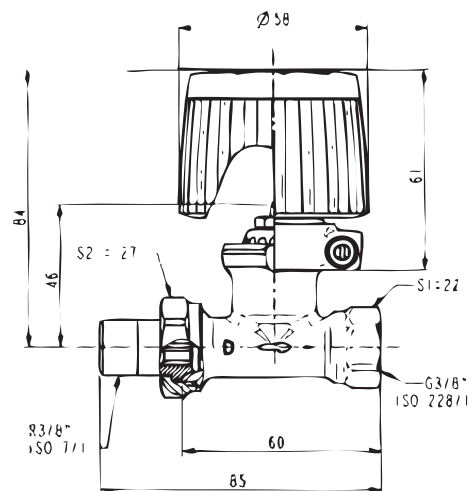
Capacities



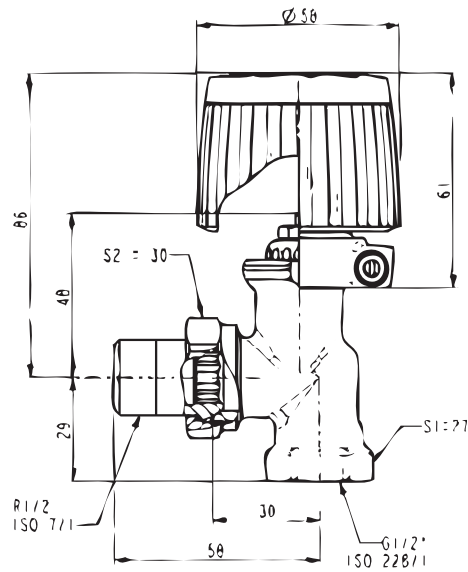
Dimensions



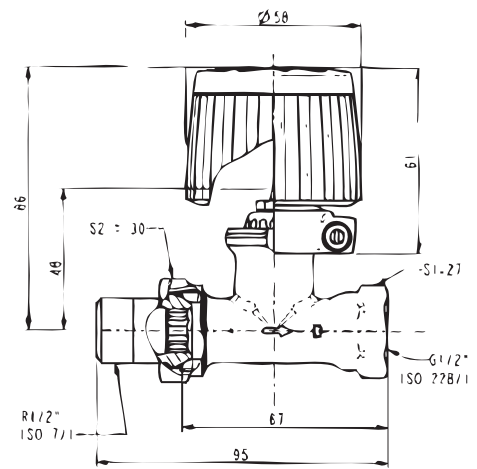
FJVR 10 (3/8") angle version



FJVR 10 (3/8") straight version



FJVR 15 (1/2") angle version



FJVR 15 (1/2") straight version

Danfoss A/S
 Heating Solutions
 Haarupvaenget 11
 8600 Silkeborg
 Denmark
 Phone: +45 7488 8000
 Fax: +45 7488 8100
 Email: heating.solutions@danfoss.com
www.heating.danfoss.com

Danfoss can accept no responsibility for possible errors in catalogues, brochures and other printed material. Danfoss reserves the right to alter its products without notice. This also applies to products already on order provided that such alterations can be made without subsequential changes being necessary in specifications already agreed. All trademarks in this material are property of the respective companies. Danfoss Heating Solutions and the Danfoss Heating Solutions logotype are trademarks of Danfoss A/S. All rights reserved.