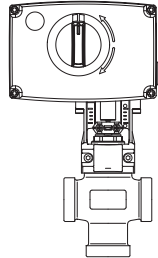
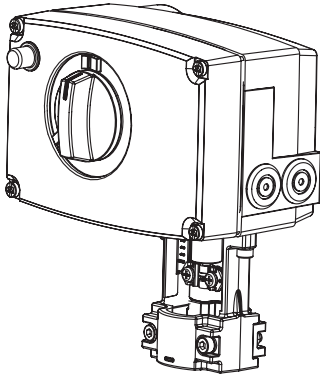
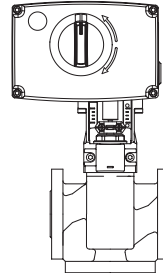


## Инструкция

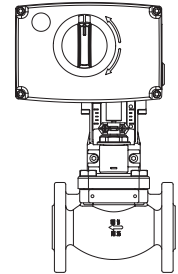
### AMV 25, AMV 35



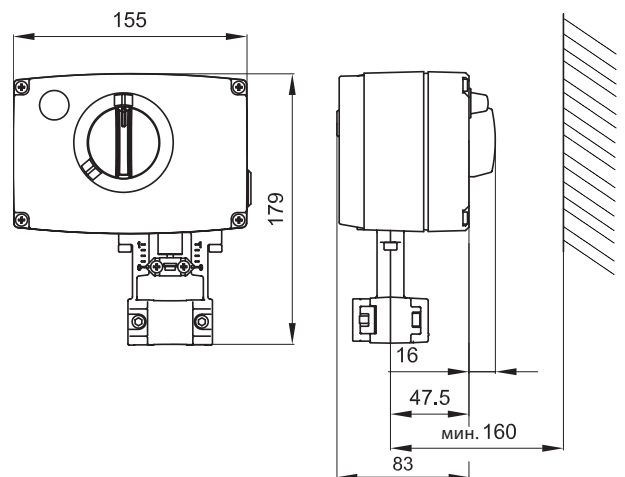
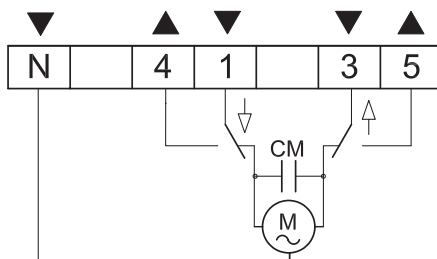
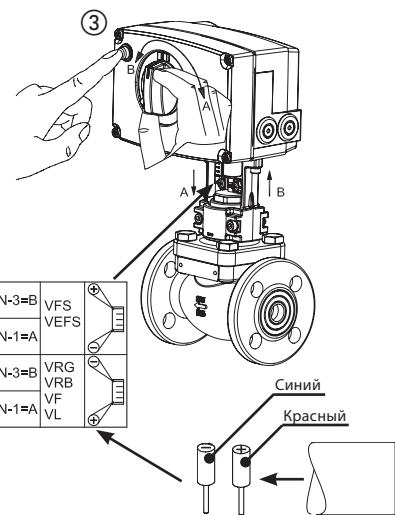
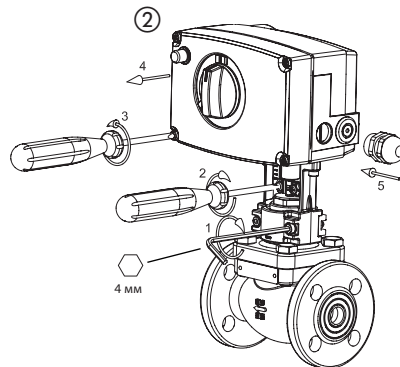
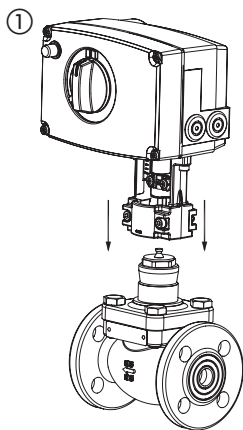
AMV 25, AMV 35 +  
VRB 2/3, VRG 2/3

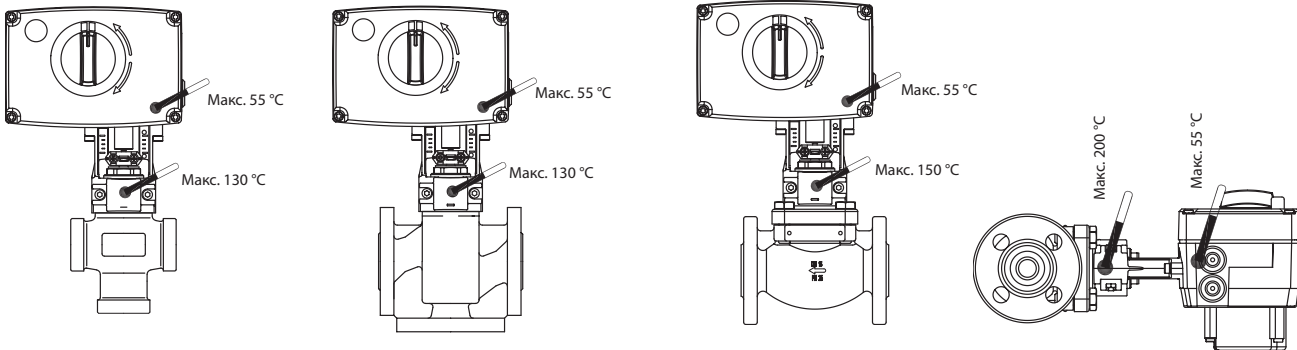


AMV 25, AMV 35 +  
VF 2/3 ( $D_y = 15-50$  мм),  
VL 2/3 ( $D_y = 15-50$  мм)

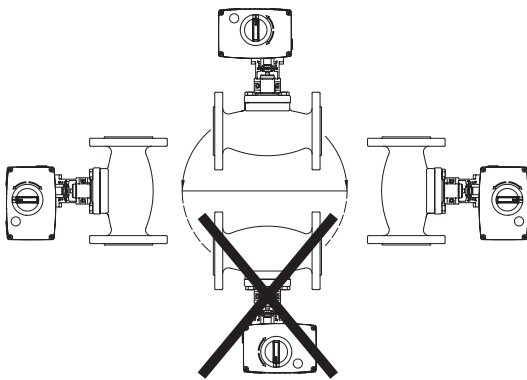


AMV 25, AMV 35 +  
VFS 2 ( $D_y = 15-50$  мм),  
VEFS 2





$T_{\text{макс.}} \leq 150^{\circ} \text{C}$



$T_{\text{макс.}} = 150 \dots 200^{\circ} \text{C}$

