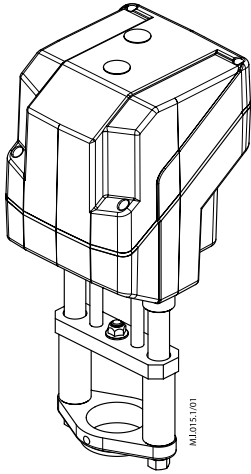
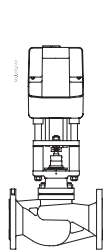


Operating Guide

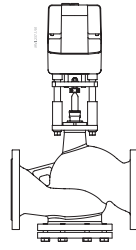
AMV 85, AMV 86



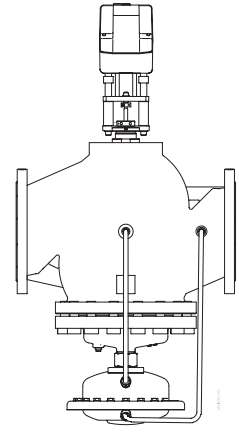
AMV 85/86 +
VFS 2 (DN 65 - 100)



AMV 85/86 +
VF 2, VF 3 (DN 125 - 150)



AMV 85/86 +
VFM 2 (DN 150-250)



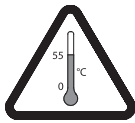
AMV 85/86 +
AFQM (DN 150 - 250)



MAINTENANCE
FREE



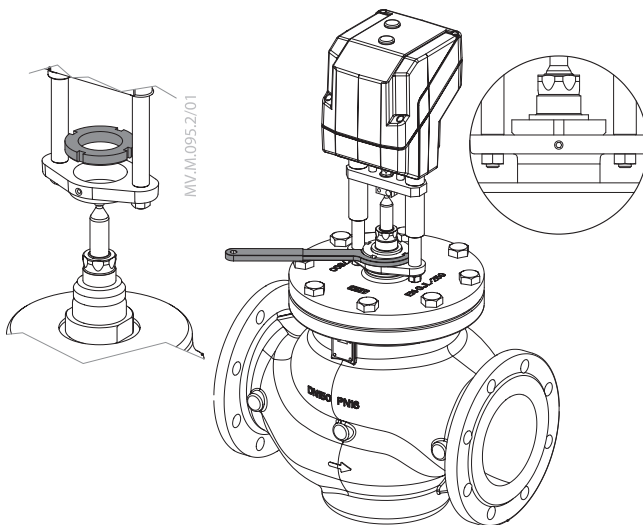
5-95 % RH
no condensing



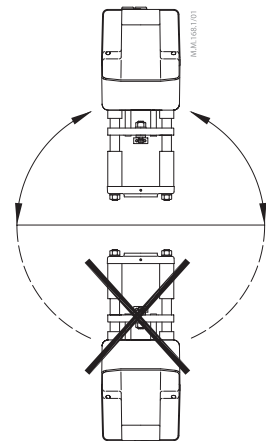
= AUTO =	 4 - 6 mm x 1 mm	 8 mm	 NH 10
-------------	---------------------	----------	-----------

1

①

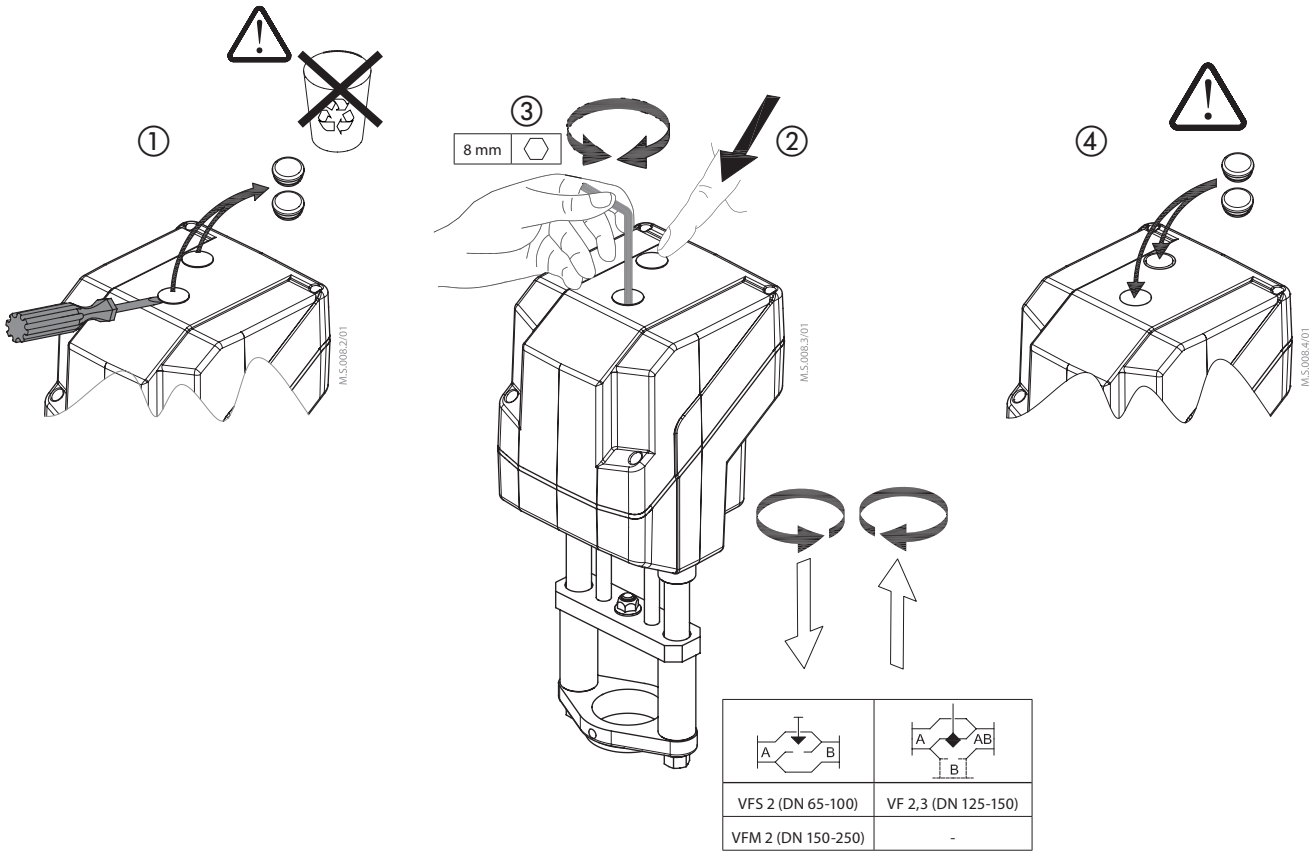


②

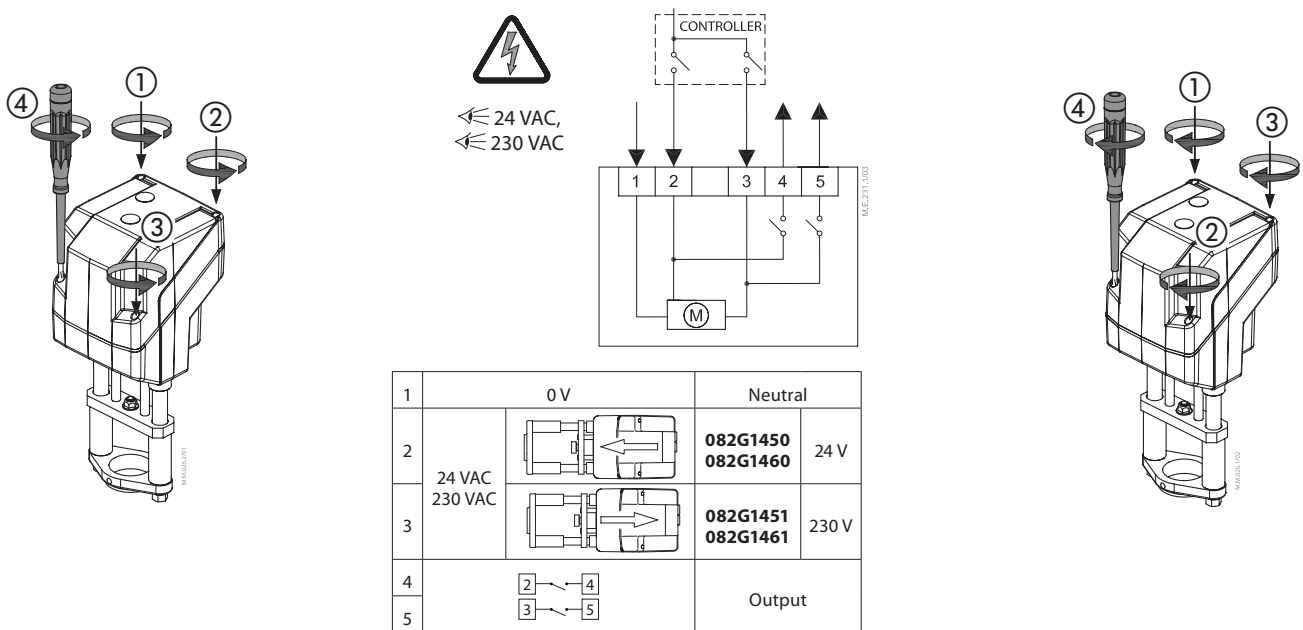


AMV 85, AMV 86

2

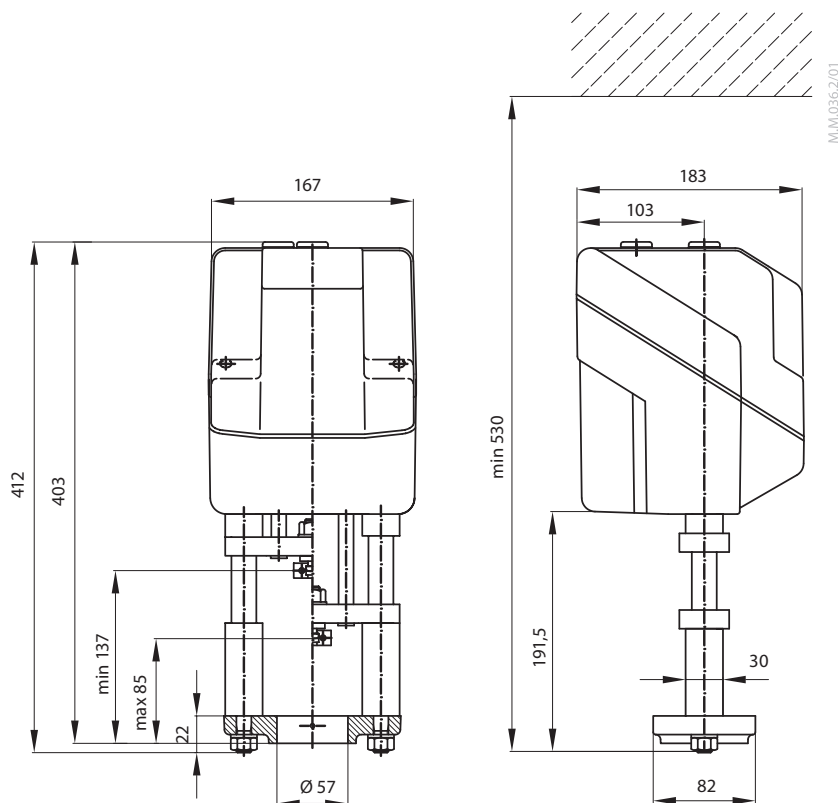


3

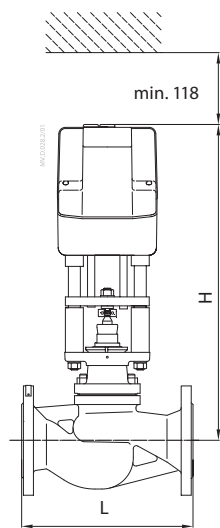


AMV 85, AMV 86

4

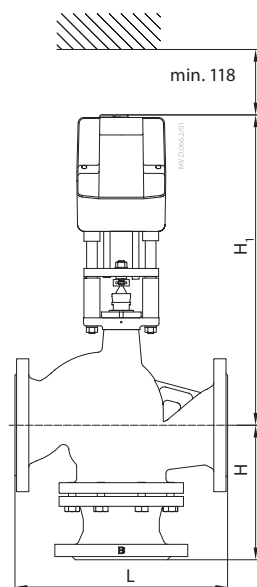


M.M.0362/01



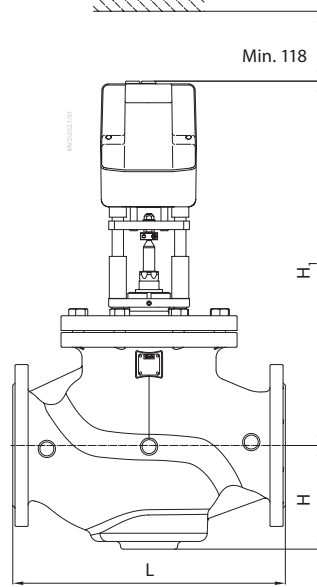
AMV 85, AMV 86 + VFS 2 (DN 65-100)

DN	L	H
	mm	
65	290	568
80	310	587
100	350	614



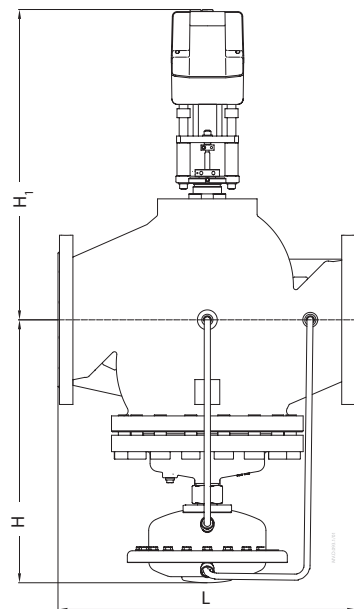
AMV 85, AMV 86 + VF 2, VF 3 (DN 125, 150)

Type	DN	L	H	H ₁
		mm		
VF 2	125	400	160	629
	150	480	200	682
VF 3	125	400	250	629
	150	480	300	682



AMV 85, AMV 86 + VFM 2 (DN 150-250)

Type	DN	L	H	H ₁
		mm		
VFM 2	150	480	182,5	639
	200	600	245	685
	250	730	267	732



AMV 85, AMV 86 + AFQM (DN 150-250)

DN	L	H	H ₁
	mm		
150	480	576	455
200	600	652	483
250	730	656	533



AMV 85, AMV 86

Part Name 部件名称	Hazardous Substances Table/有害物质含量表					
	Lead (Pb) 铅 (Pb)	Mercury (Hg) 汞 (Hg)	Cadmium (Cd) 镉 (Cd)	Hexavalent Chromium (Cr(VI)) 六价铬 (Cr(VI))	Polybrominated biphenyls (PBB) 多溴联苯 (PBB)	Polybrominated diphenyl ethers (PBDE) 多溴二苯醚 (PBDE)
Guides 说明书	X	O	O	O	O	O
Position indicators 位置指示器	X	O	O	wO	O	O
Gears 齿轮	X	O	O	O	O	O
Bushings 轴套管	X	O	O	O	O	O
Motor adapter* 电机适配器*	X	O	O	O	O	O
O: Indicates that this hazardous substance contained in all of the homogeneous material for this part is below the limit requirement in GB/T 26572; O: 表示该有害物质在该部件所有均质材料中的含量均在GB/T 26572规定的限量要求以下。 X: Indicates that this hazardous substance contained in at least one of the homogeneous material for this part is above the limit requirementw in GB/T 26572; X: 表示该有害物质至少在该部件的某一均质材料中的含量超出GB/T 26572规定的限量要求。						

* Only in AMV 86;
* 仅限于AMV 86

Danfoss can accept no responsibility for possible errors in catalogues, brochures and other printed material. Danfoss reserves the right to alter its products without notice. This also applies to products already on order provided that such alterations can be made without subsequent changes being necessary in specifications already agreed. All trademarks in this material are property of the respective companies. Danfoss and the Danfoss logotype are trademarks of Danfoss A/S. All rights reserved.