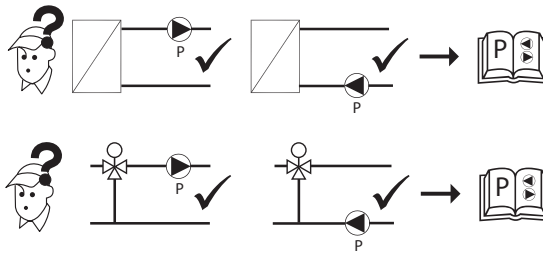
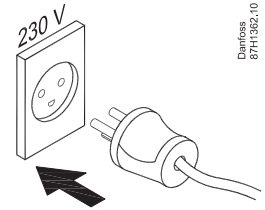
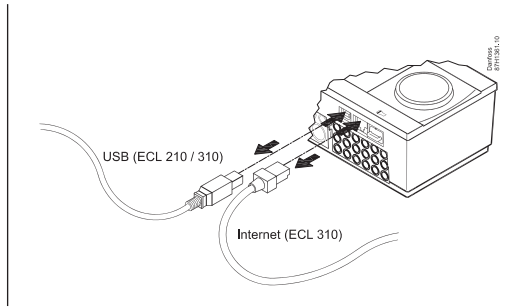
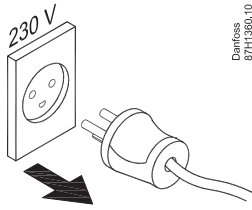
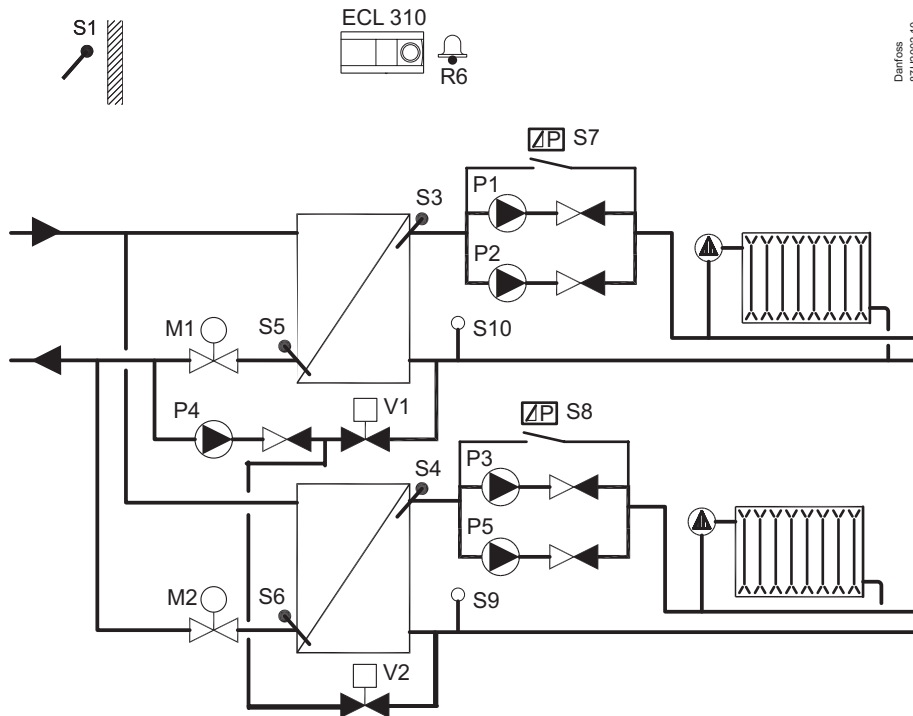


Installation Guide

ECL Comfort 310, A361 (code no. 087H3804)

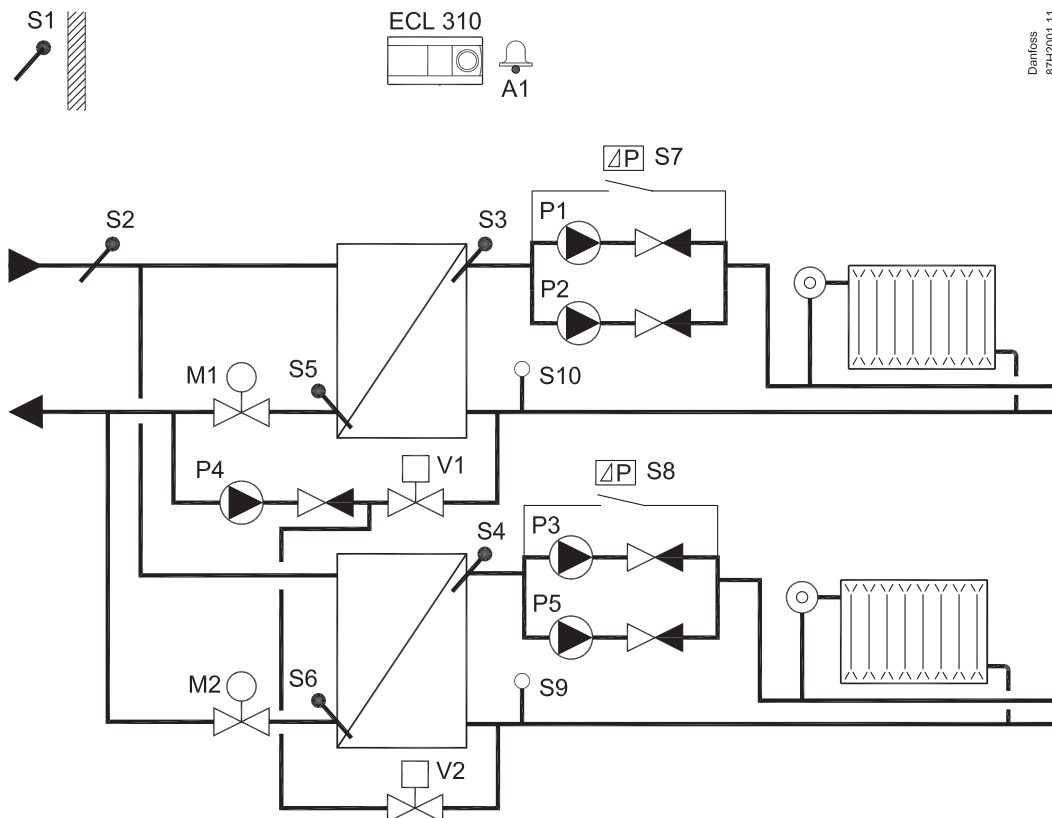


A361.1:



Danfoss
87H1380.10

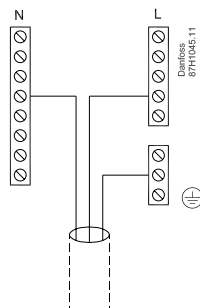
A361.2:



Danfoss
87H2001.11

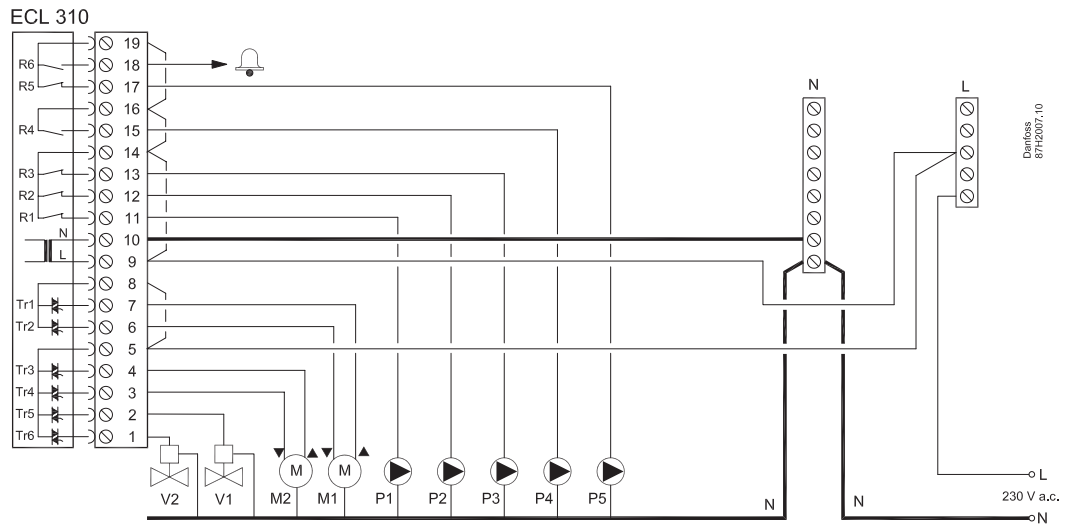
ECL Comfort 210 / 310:
230 V a.c.

R	4 (2) A / 230 V a.c.
Tr	0,2 A / 230 V a.c.



Installation Guide, ECL Comfort 310, A361

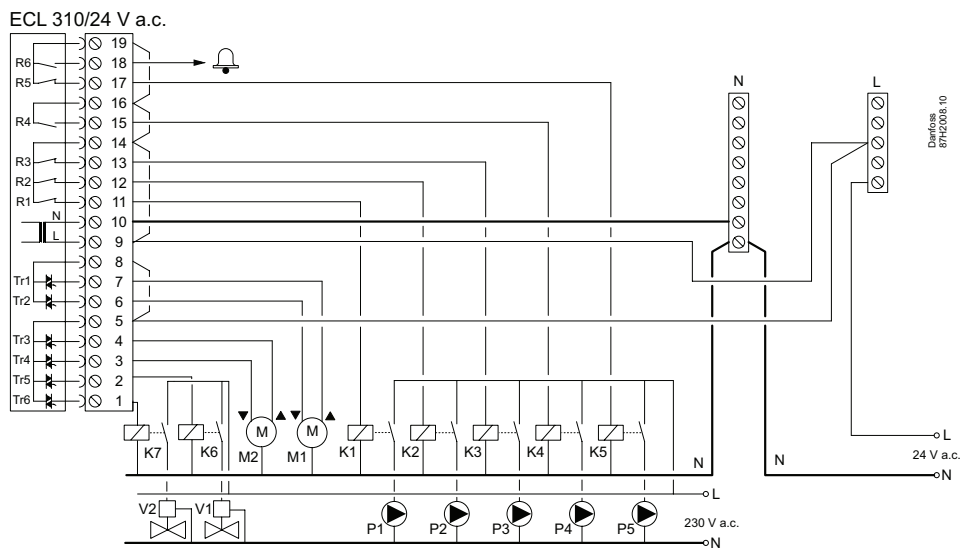
230 V a.c. , A361.1 / A361.2:



ECL Comfort 310: 24 V a.c.

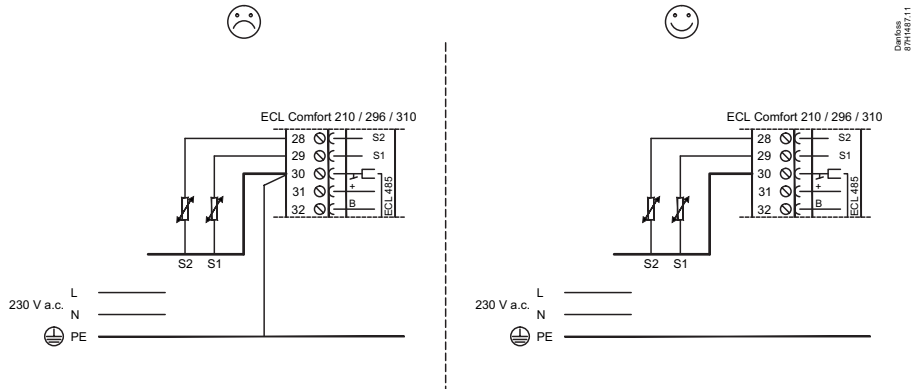
R		4 (2) A / 24 V a.c.
Tr		1 A / 24 V a.c.

24 V a.c. , A361.1 / A361.2:

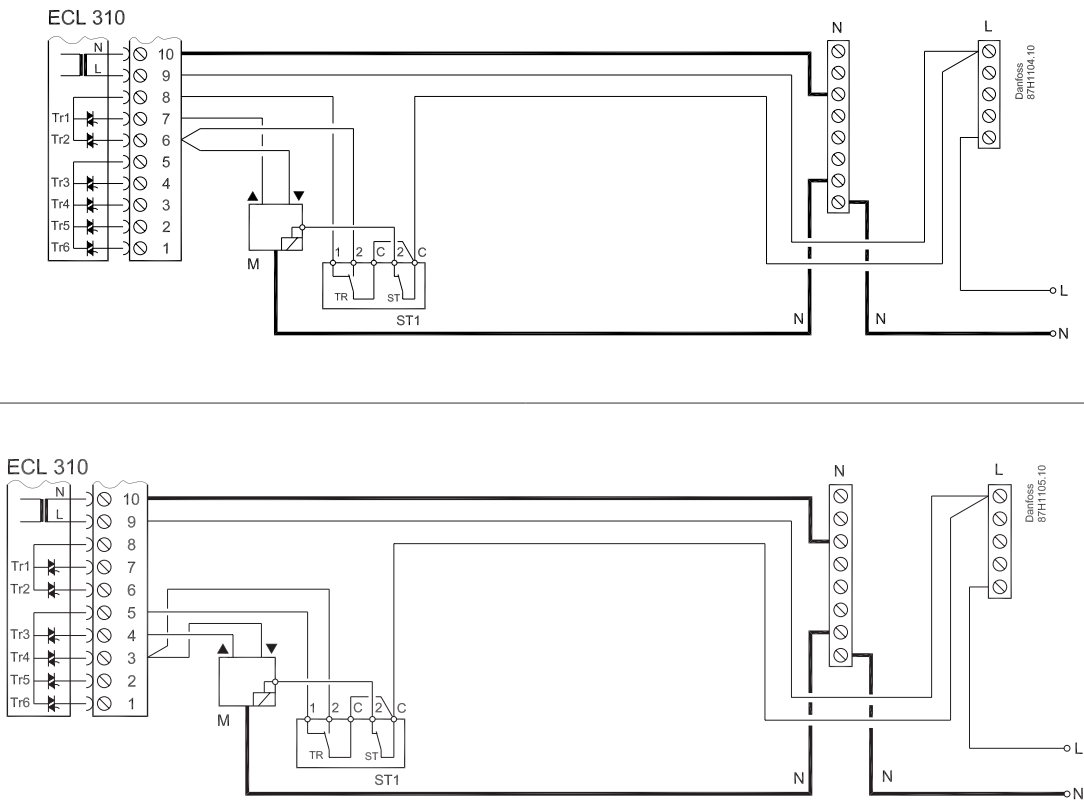


Installation Guide, ECL Comfort 310, A361

Pt 1000 (1000 Ω / 0 °C)

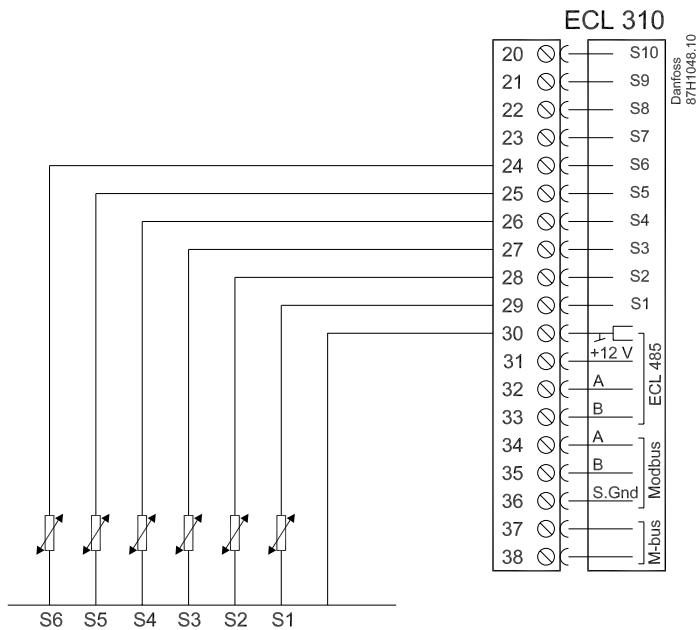


24 V a.c. / 230 V a.c. safety thermostat

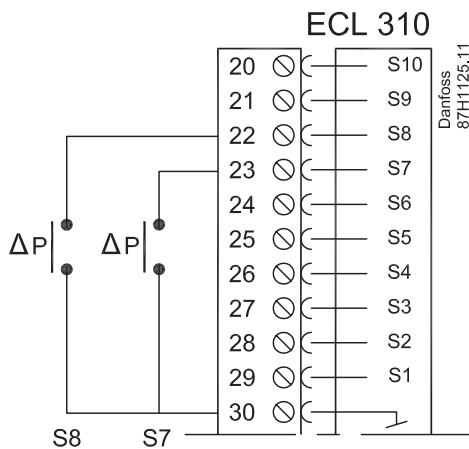


Installation Guide, ECL Comfort 310, A361

Pt 1000 (1000 Ω / 0 °C)
 A361.1 (÷ S2) / A361.2

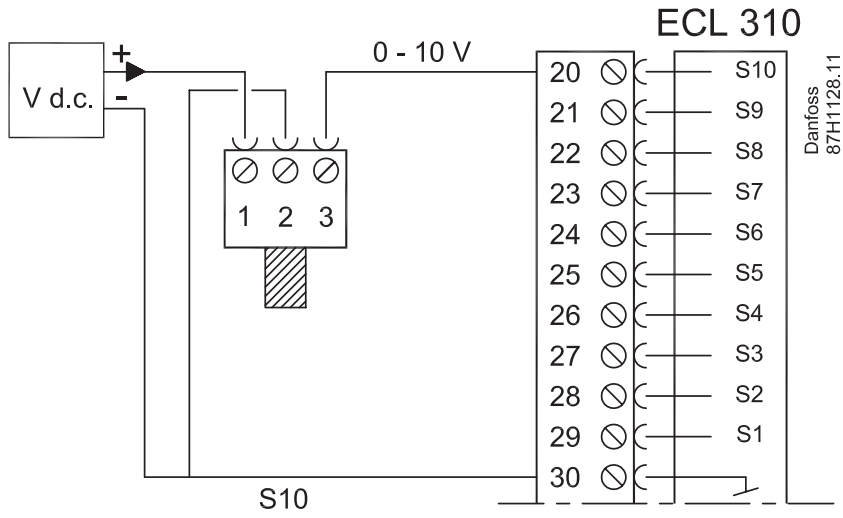


A361.1 / A361.2

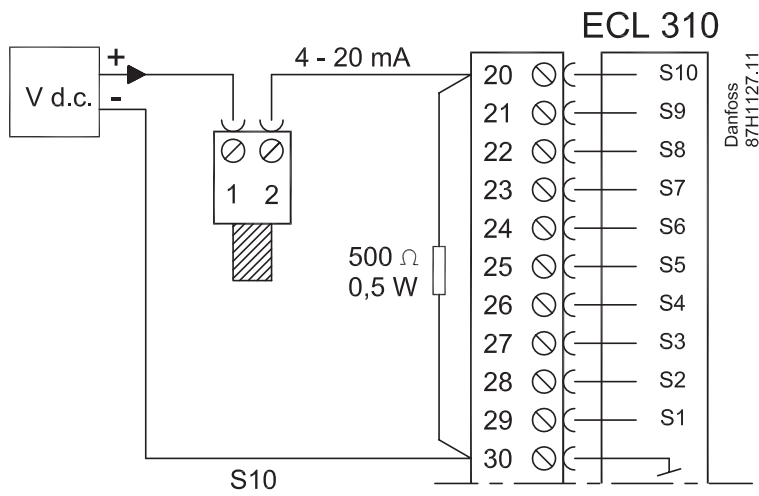


Installation Guide, ECL Comfort 310, A361

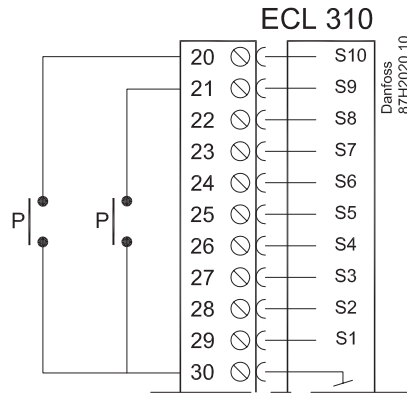
A361.1 / A361.2



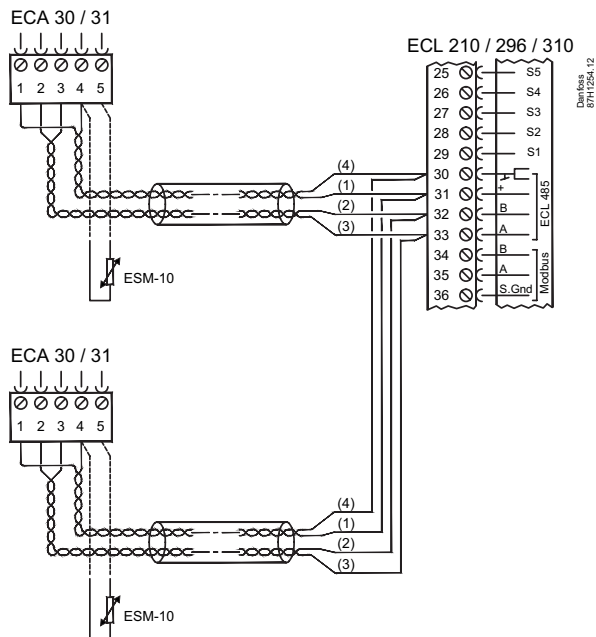
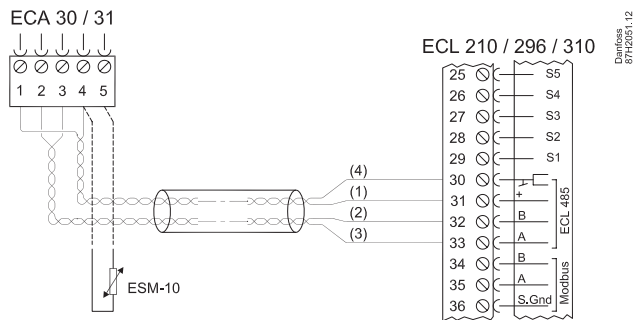
A361.1 / A361.2



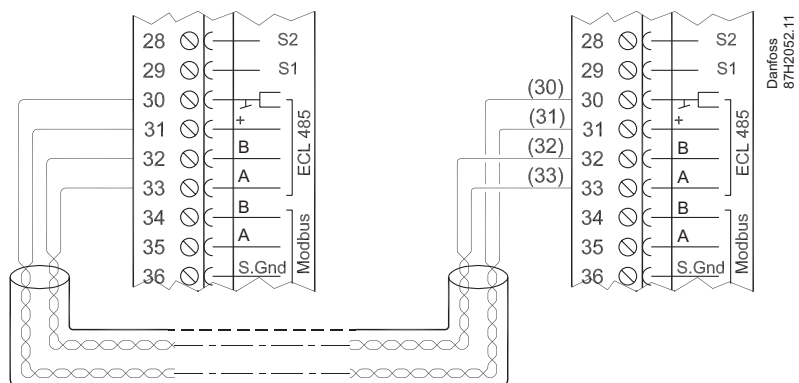
A361.1 / A362.2



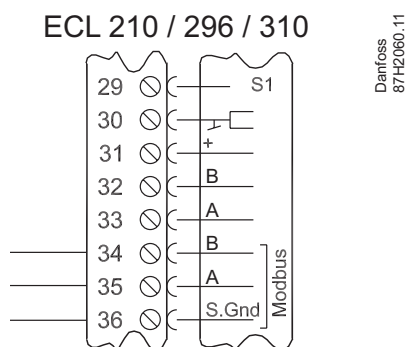
ECA 30 / 31



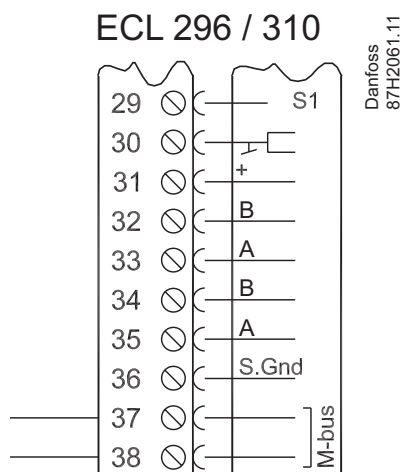
Master / slave



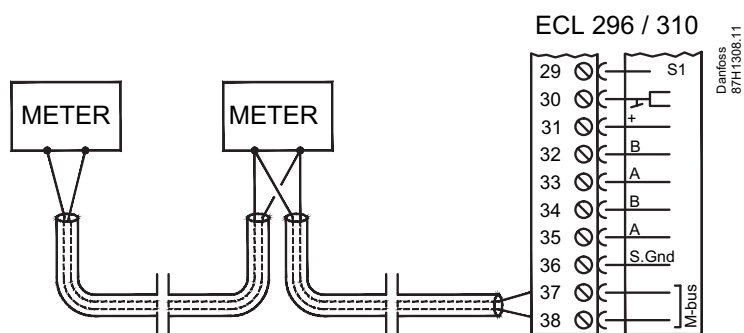
Modbus



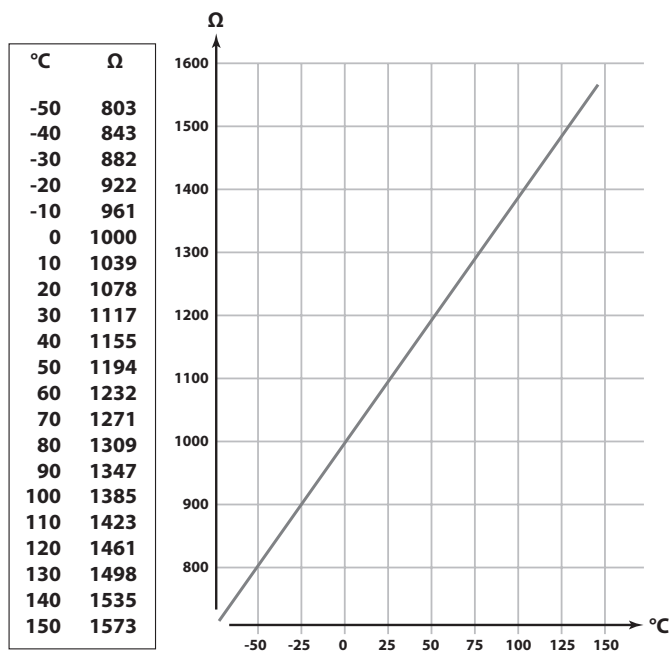
M- bus



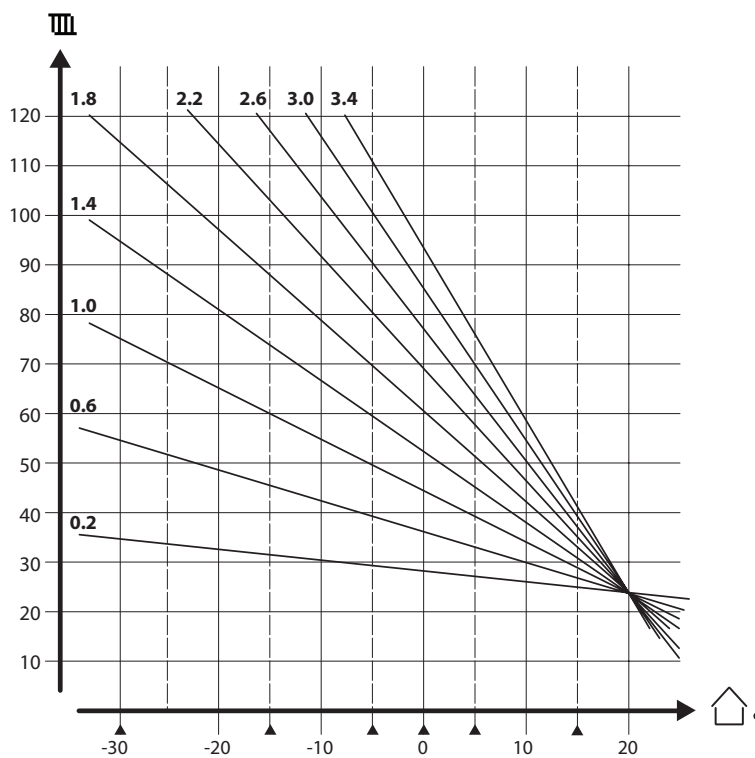
M-bus



Pt 1000 (IEC 751B, 1000 Ω / 0 °C)



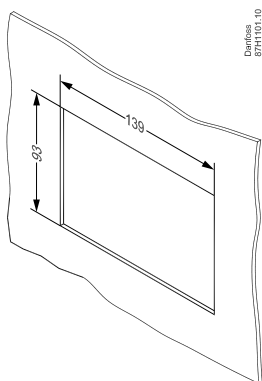
Heat curves



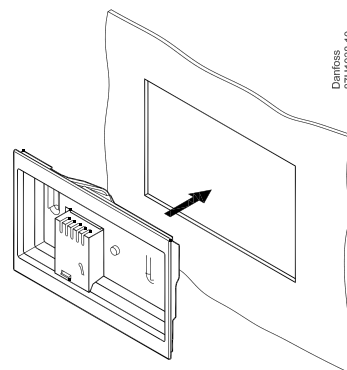
Installation Guide, ECL Comfort 310, A361

ECA 30

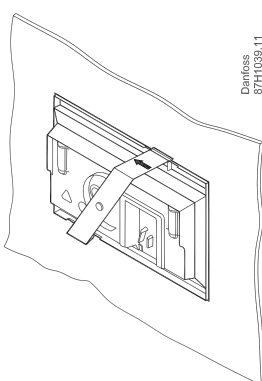
1



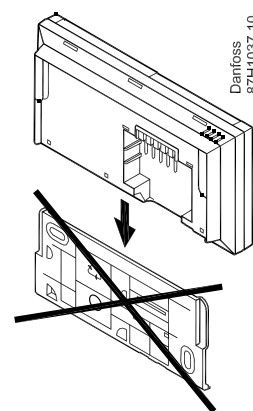
2



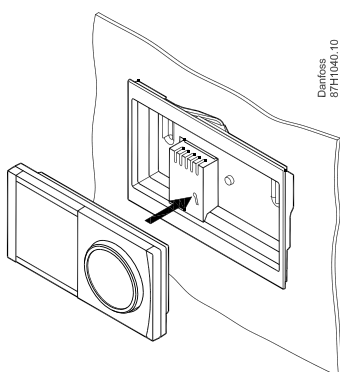
3



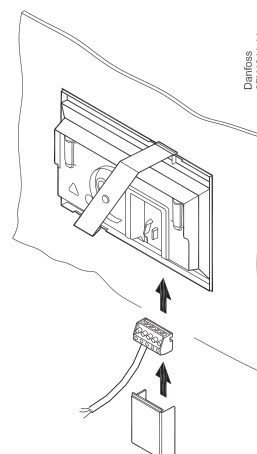
4



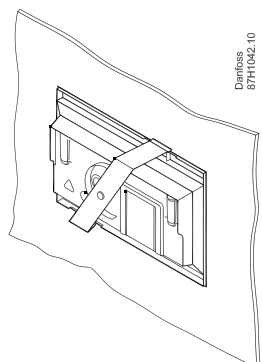
5



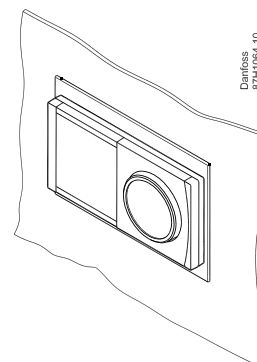
6



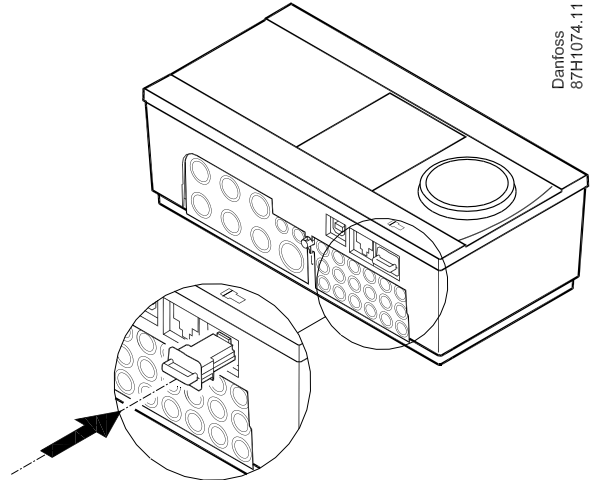
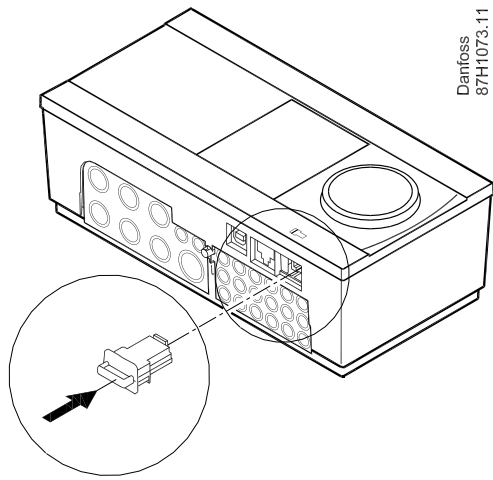
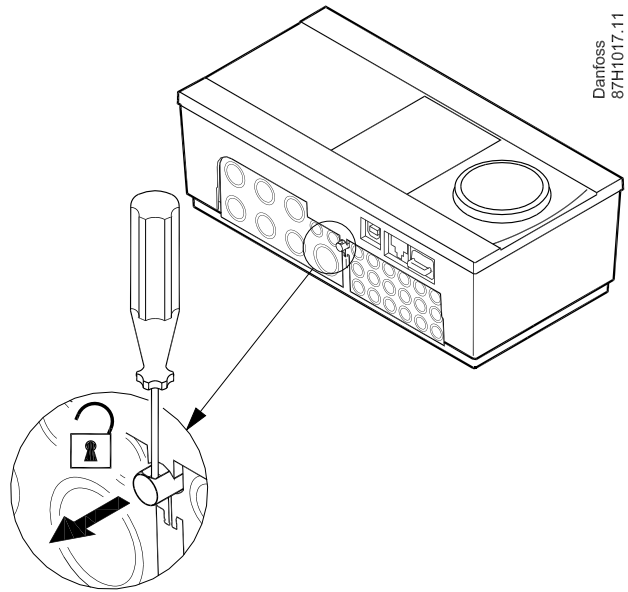
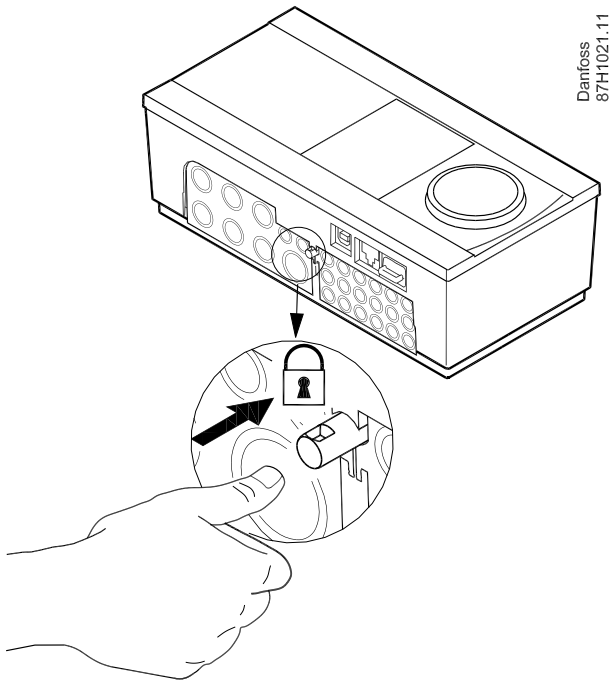
7



8



Installation Guide, ECL Comfort 310, A361



? **ECL Comfort 310, A361: www.heating.danfoss.com**



Danfoss A/S
Heating Segment • heating.danfoss.com • +45 7488 2222 • E-Mail: heating@danfoss.com

Danfoss can accept no responsibility for possible errors in catalogues, brochures and other printed material. Danfoss reserves the right to alter its products without notice. This also applies to products already on order provided that such alterations can be made without subsequent changes being necessary in specifications already agreed. All trademarks in this material are property of the respective companies. Danfoss and all Danfoss logotypes are trademarks of Danfoss A/S. All rights reserved.