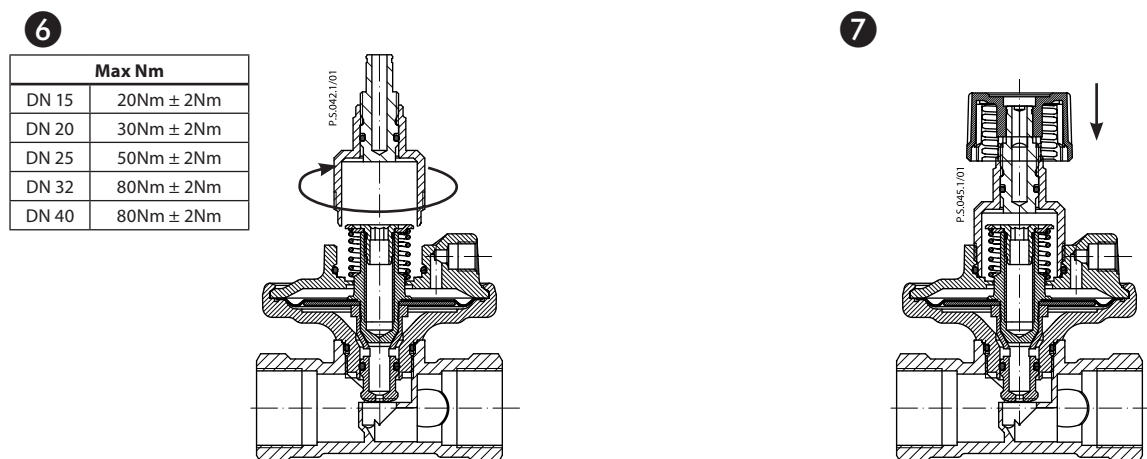
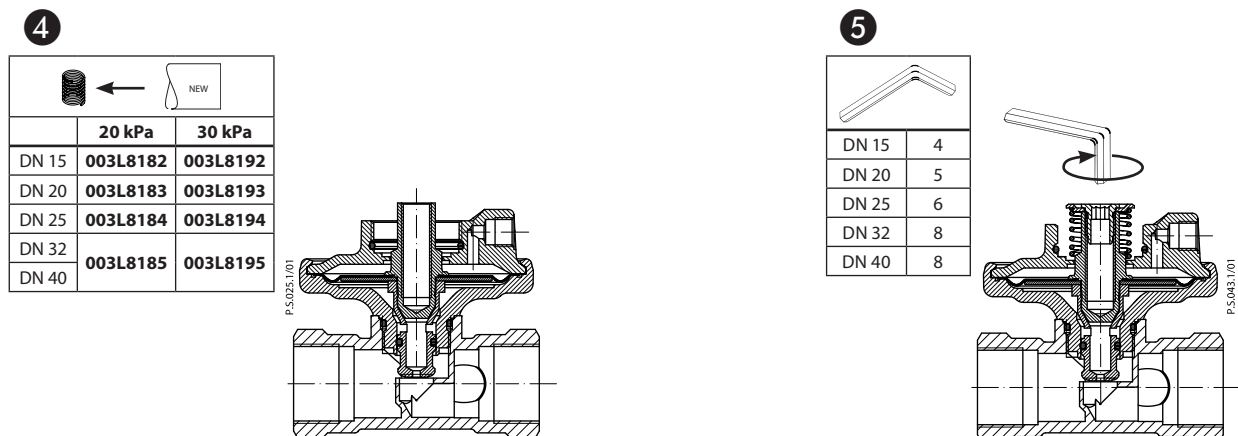
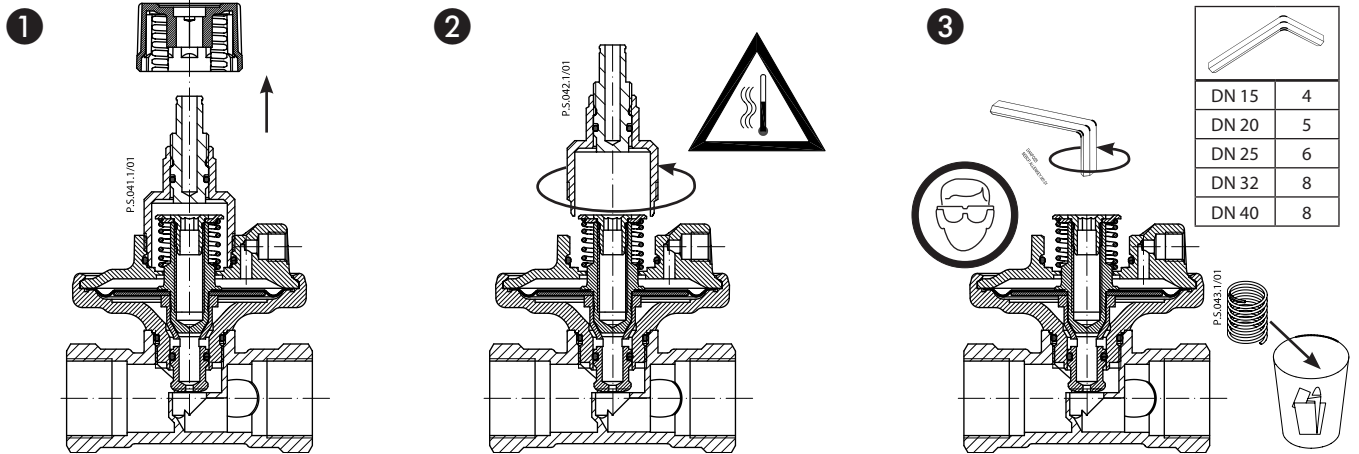


## Installation Guide

### ASV-P (10 kPa) → ASV-P (20 kPa, 30 kPa)



**Installation Guide      ASV-P (10 kPa) → ASV-P (20 kPa, 30 kPa)**

---

---