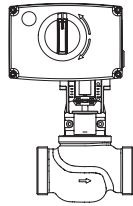
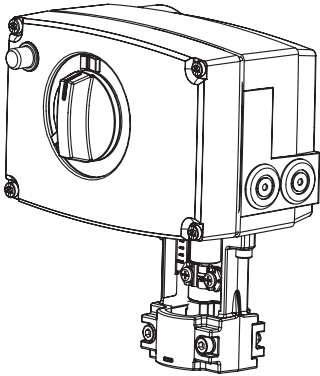
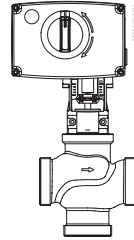


Operating Guide

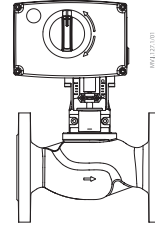
AMV 25, AMV 35



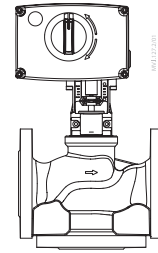
AMV 25, AMV 35 +
Adapter (065Z0311) +
VRB 2, VRG 2 (DN 15-50)



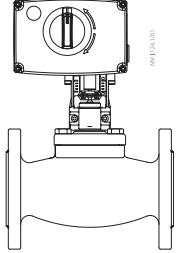
AMV 25, AMV 35 +
Adapter (065Z0311) +
VRB 3, VR3 2 (DN 15-50)



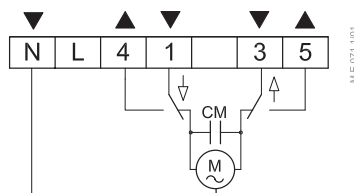
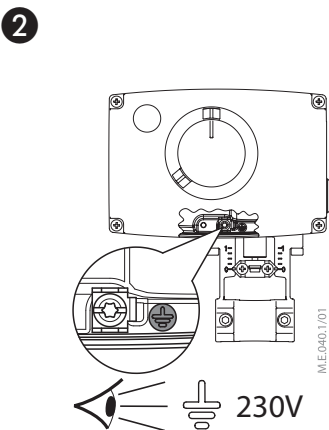
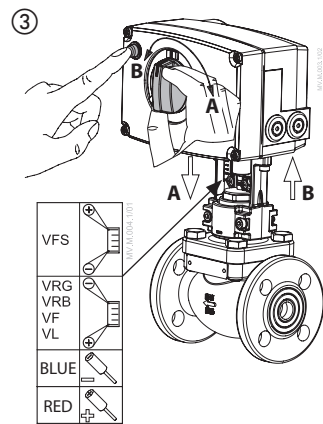
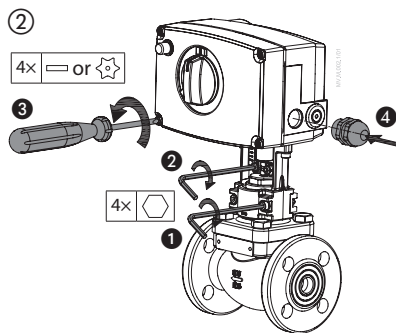
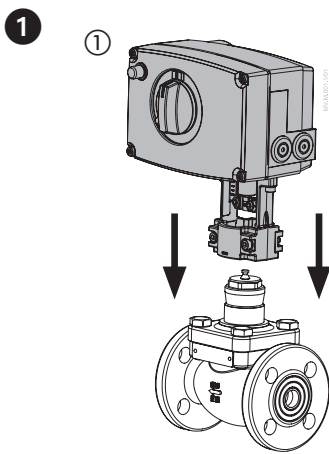
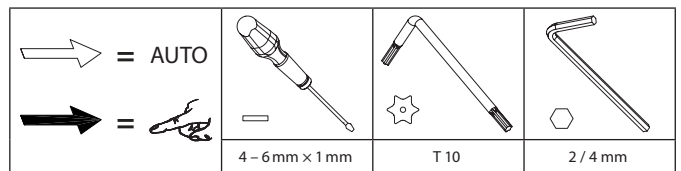
AMV 25, AMV 35 +
Adapter (065Z0311) +
VF 2, VL 2 (DN 15-50)



AMV 25, AMV 35 +
Adapter (065Z0311) +
VF 3, VL 3 (DN 15-50)



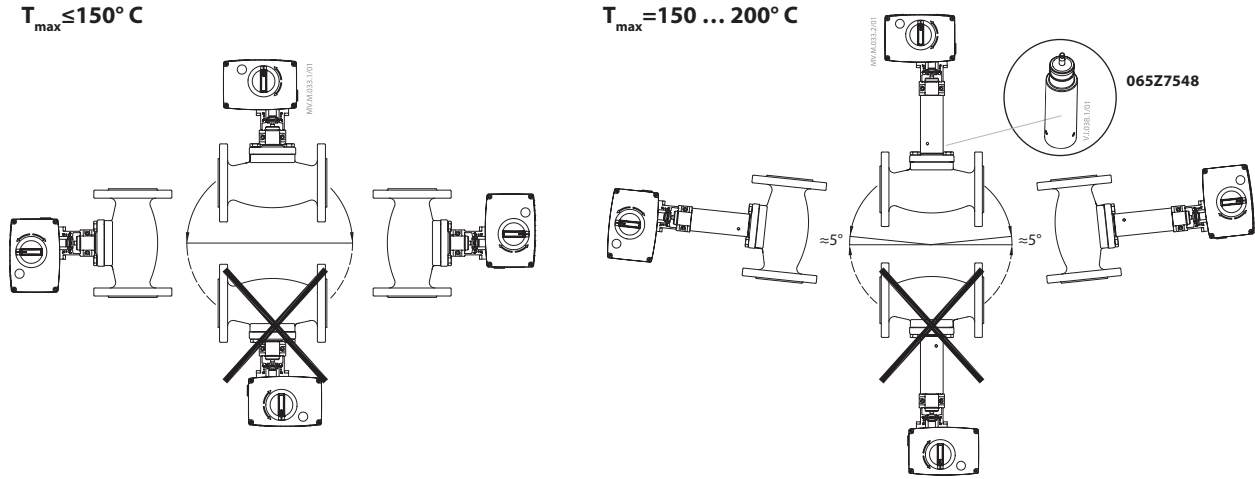
AMV 25, AMV 35 +
VFS 2 (DN 15-50)



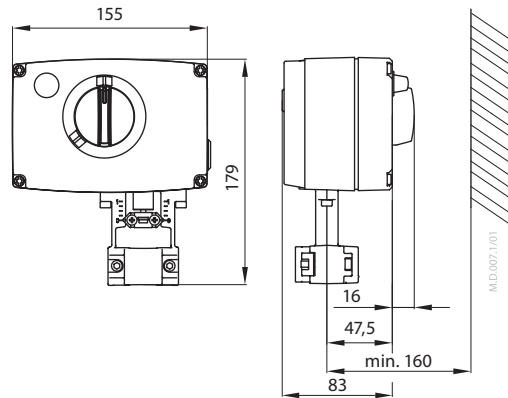
| N | 0 V | Neutral | | | | |
|------|---|----------------------------|---|---|---|--------|
| 1 | Input power supply | 082G3023 24 V 082G3020 | | | | |
| 3 | | 082G3024 230 V 082G3021 | | | | |
| 4, 5 | <table border="1"> <tr> <td>1</td> <td>4</td> </tr> <tr> <td>3</td> <td>5</td> </tr> </table> | 1 | 4 | 3 | 5 | Output |
| 1 | 4 | | | | | |
| 3 | 5 | | | | | |

AMV 25, AMV 35

3



4



| 部件名称 Part Name | 有害物质含量表 Hazardous Substances Table | | | | | |
|-------------------|---------------------------------------|--------|--------|--------------|------------|--------------|
| | 铅 (Pb) | 汞 (Hg) | 镉 (Cd) | 六价铬 (Cr(VI)) | 多溴联苯 (PBB) | 多溴二苯醚 (PBDE) |
| Housing/ 外壳 | X | O | O | O | O | O |
| Bushings/ 轴套管 | X | O | O | O | O | O |
| Clamp/ 压板 | X | O | O | O | O | O |
| Yoke/ 连接架 | X | O | O | O | O | O |

O: 表示该有害物质在该部件所有均质材料中的含量均在GB/T 26572规定的限量要求以下。
 O: Indicates that this hazardous substance contained in all of the homogeneous material for this part is below the limit requirement in GB/T 26572;
 X: 表示该有害物质至少在该部件的某一均质材料中的含量超出GB/T 26572规定的限量要求。
 X: Indicates that this hazardous substance contained in at least one of the homogeneous material for this part is above the limit requirement in GB/T 26572;