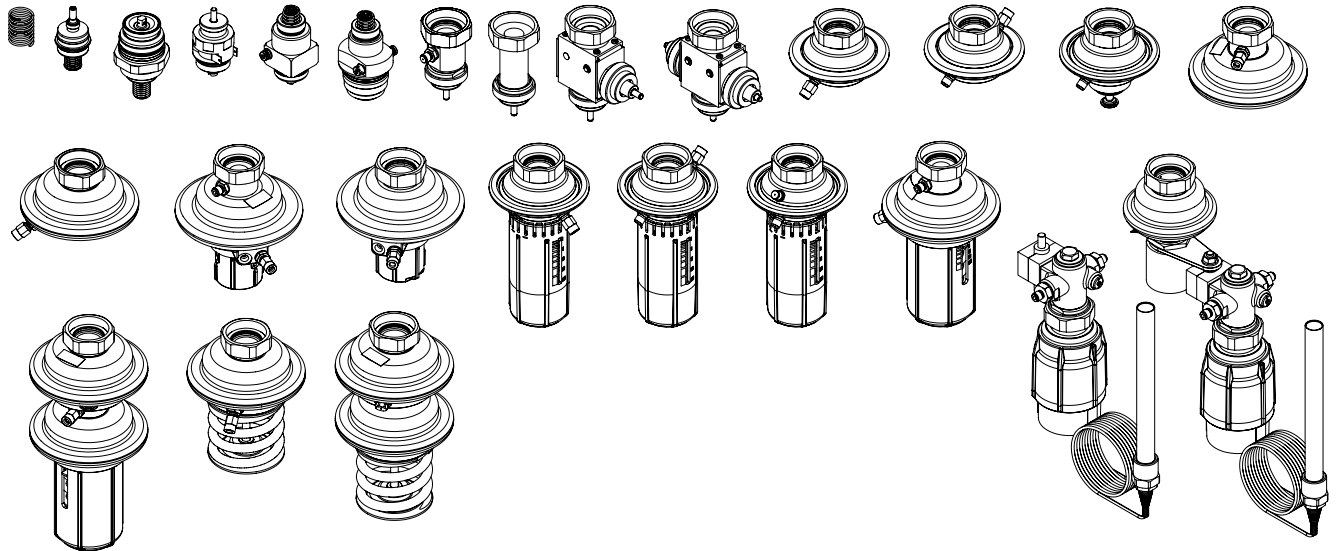


Installation Guide

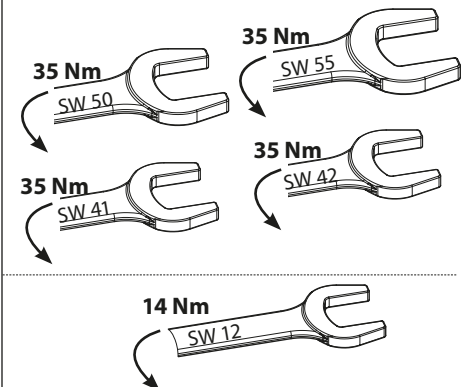
Service kits – Catalogue



A	PN	DN	Δp (bar)					Code No.			
			0.05 ÷ 0.5 0.1 ÷ 0.5	0.2 ÷ 1.0	0.3 ÷ 2.0	0.8 ÷ 1.6	0.2		0.3	0.5	
	16	15 ÷ 32	-	×		-	×	-	003H1330		
			-	-		-	-	×	-	003H1326	
			-	-		-	-	-	-	×	003H1331
			-	-		×	-	-	-	-	003H1332
	25	15 ÷ 50		-	-		×	-	88835920		
		15 ÷ 25		-	-		-	-	×	88835930	
		32 ÷ 50		-	-		-	-	×	88835940	

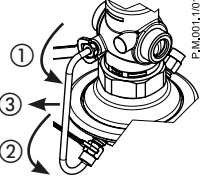
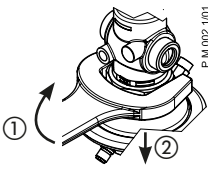
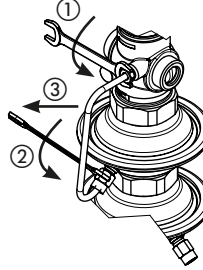
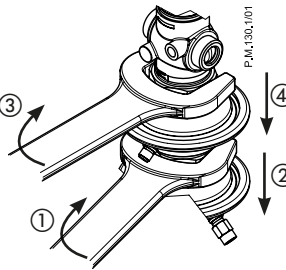
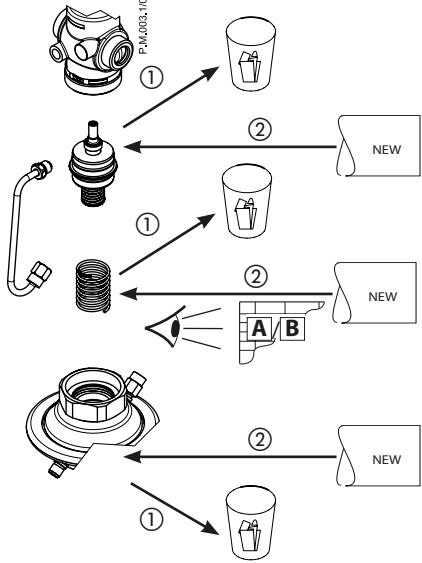
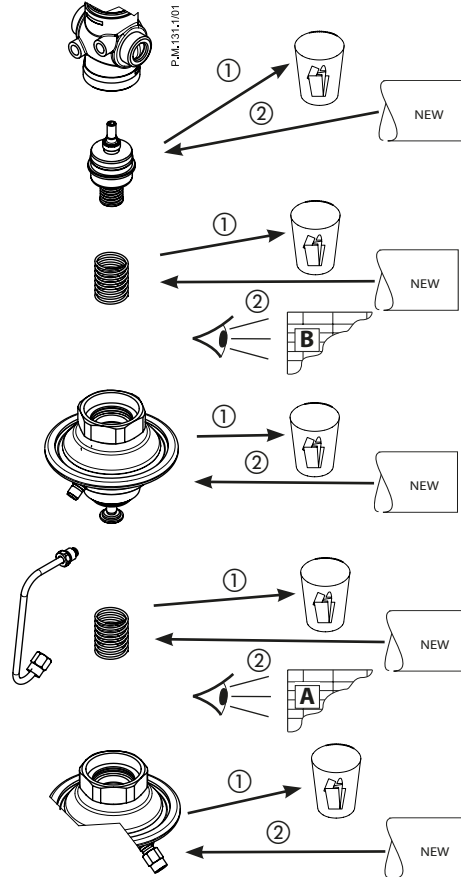
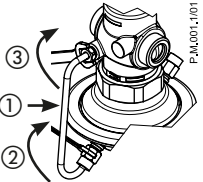
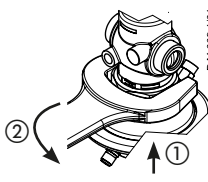
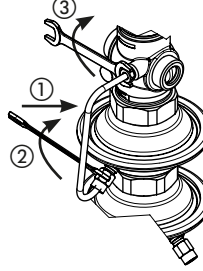
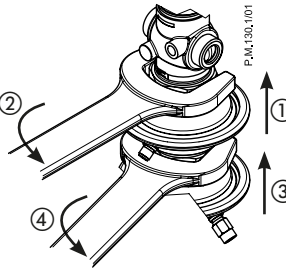
B	PN	DN	Δp_b (bar)					Code No.	
			0.1 ÷ 0.5	0.2 ÷ 1.0	0.3 ÷ 2.0	0.8 ÷ 1.6	0.2		0.3
	16	15 ÷ 32					×		003H1330
		15 ÷ 25					×		88835920
		32 ÷ 50					-		-

M1	CuSn5ZnPb (Rg5)
M2	EN-GJS-400-18-LT (GGG 40.3)

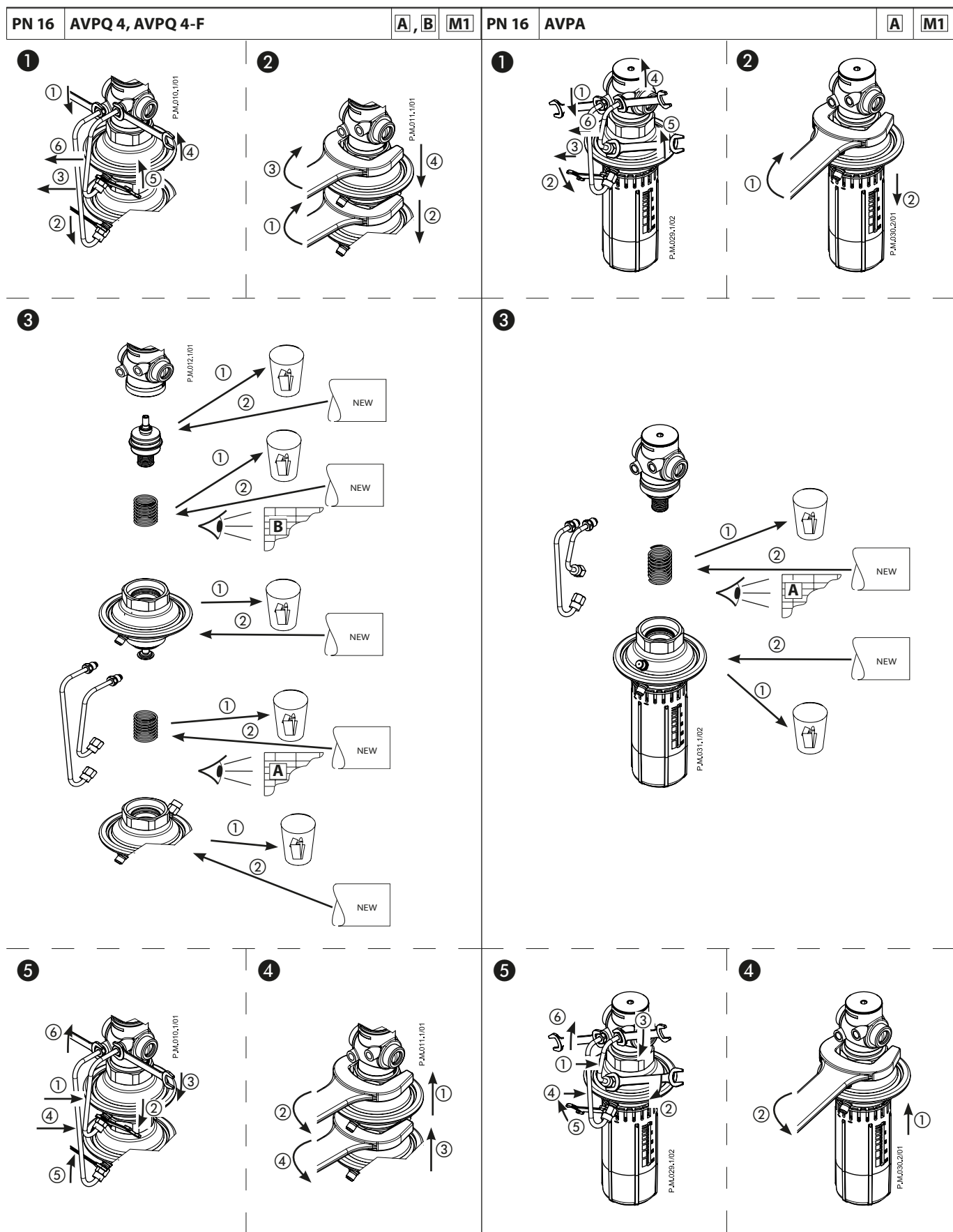


Page	PN		Page	PN	
2	16	AVP, AVP-F, AVPB, AVPB-F, AVD, AVQ, AVQM	10	25	SAVA
2	16	AVPQ, AVPQ-F			M1
3	16	AVPQ 4, AVPQ 4-F			M2
3	16	AVPA	11	25	SAVD
4	25	AVP, AVP-F, AVPB, AVPB-F, AVPBT-F, AVD, AVQ, AVQT, AVQM, AVQMT			M1
5	25	AVPQ, AVPQ-F	12	25	AVPBT
6	25	AVPQ 4, AVPQ 4-F	13	25	AVPBT
7	25	AVPA	15	25	AVPQT
8	25	AVA	16	25	AVPQT
9	25	AVDS	18	25	VG
			18	25	VG, VGF
			18	25	VGS
			19	16	Control valve insert
			20	25	Control valve insert
			21	25	Control valve insert
			22	25	STL
					M1, M2

Installation Guide Service kits – Catalogue

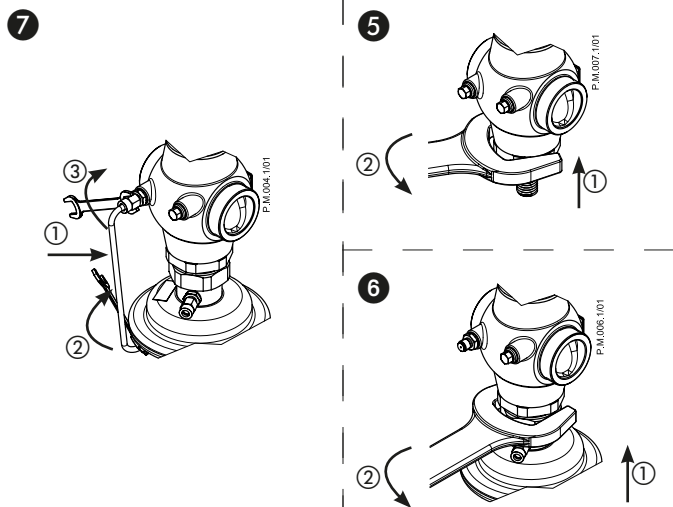
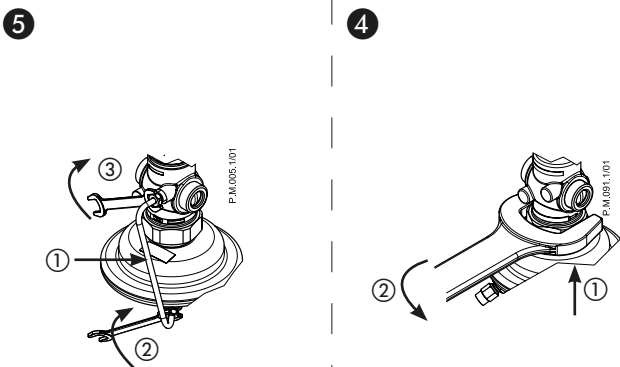
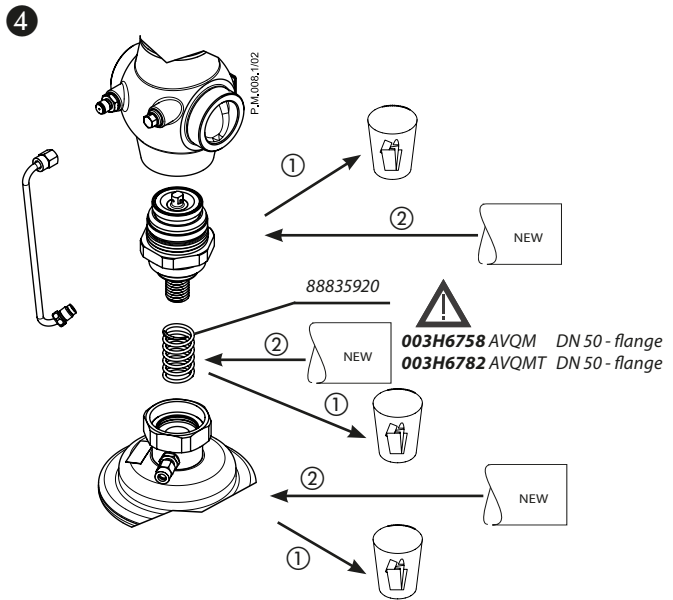
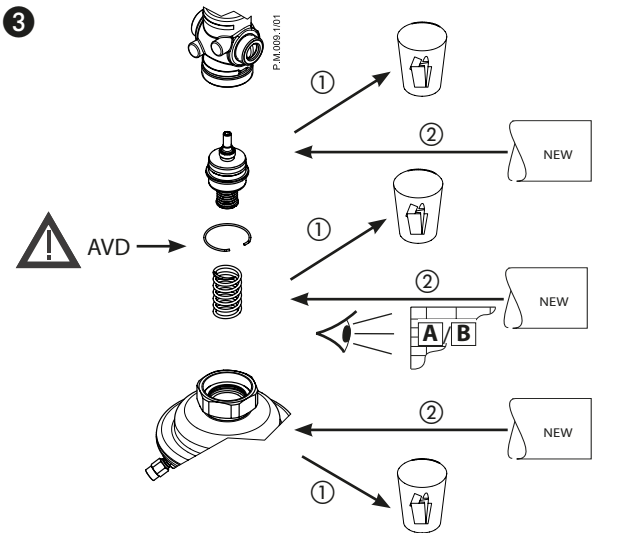
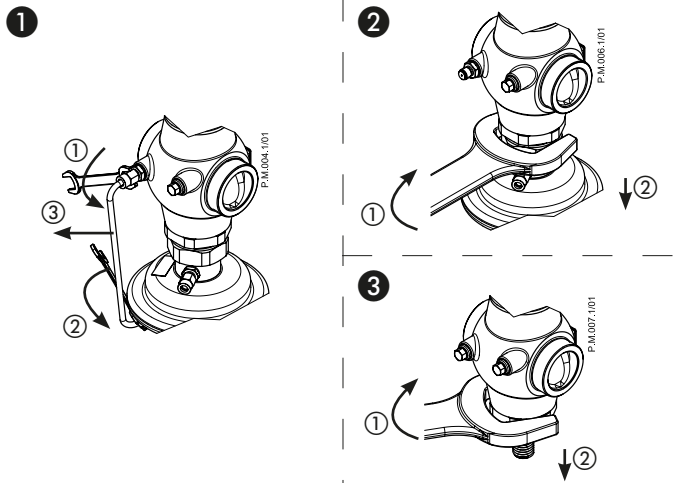
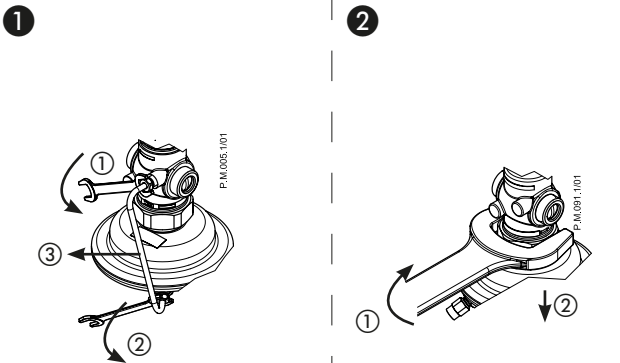
PN 16	AVP, AVP-F, AVPB, AVPB-F, AVD AVQ, AVQM	A B	M1	PN 16	AVPQ, AVPQ-F	A, B	M1		
<p>1</p>  <p>P.M.001.101</p>	<p>2</p>  <p>P.M.002.101</p>			<p>1</p>  <p>P.M.129.101</p>	<p>2</p>  <p>P.M.130.101</p>				
<p>3</p>  <p>P.M.003.101</p>				<p>3</p>  <p>P.M.131.101</p>					
<p>5</p>  <p>P.M.001.101</p>	<p>4</p>  <p>P.M.002.101</p>			<p>5</p>  <p>P.M.129.101</p>	<p>4</p>  <p>P.M.130.101</p>				

Installation Guide Service kits – Catalogue

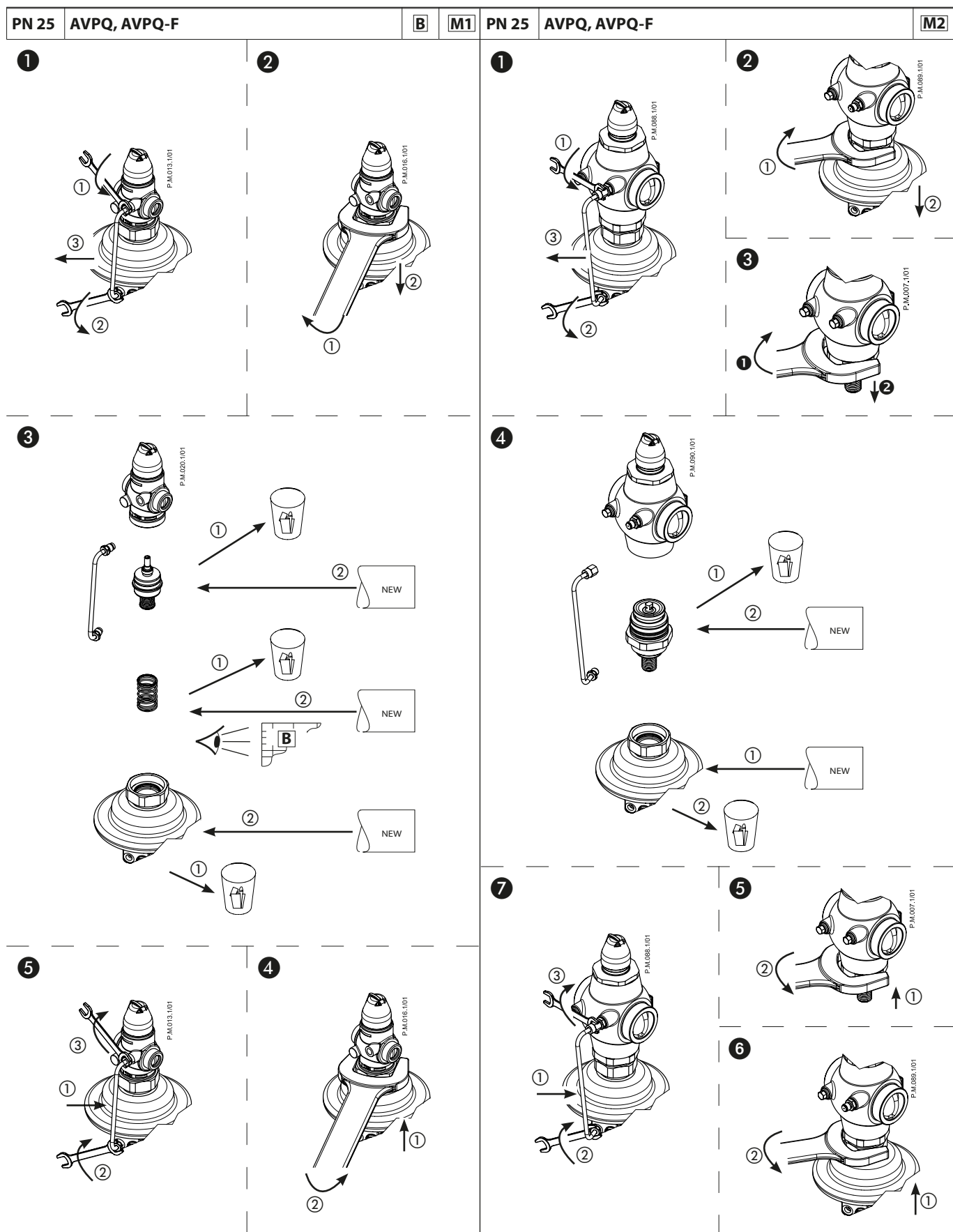


Installation Guide Service kits – Catalogue

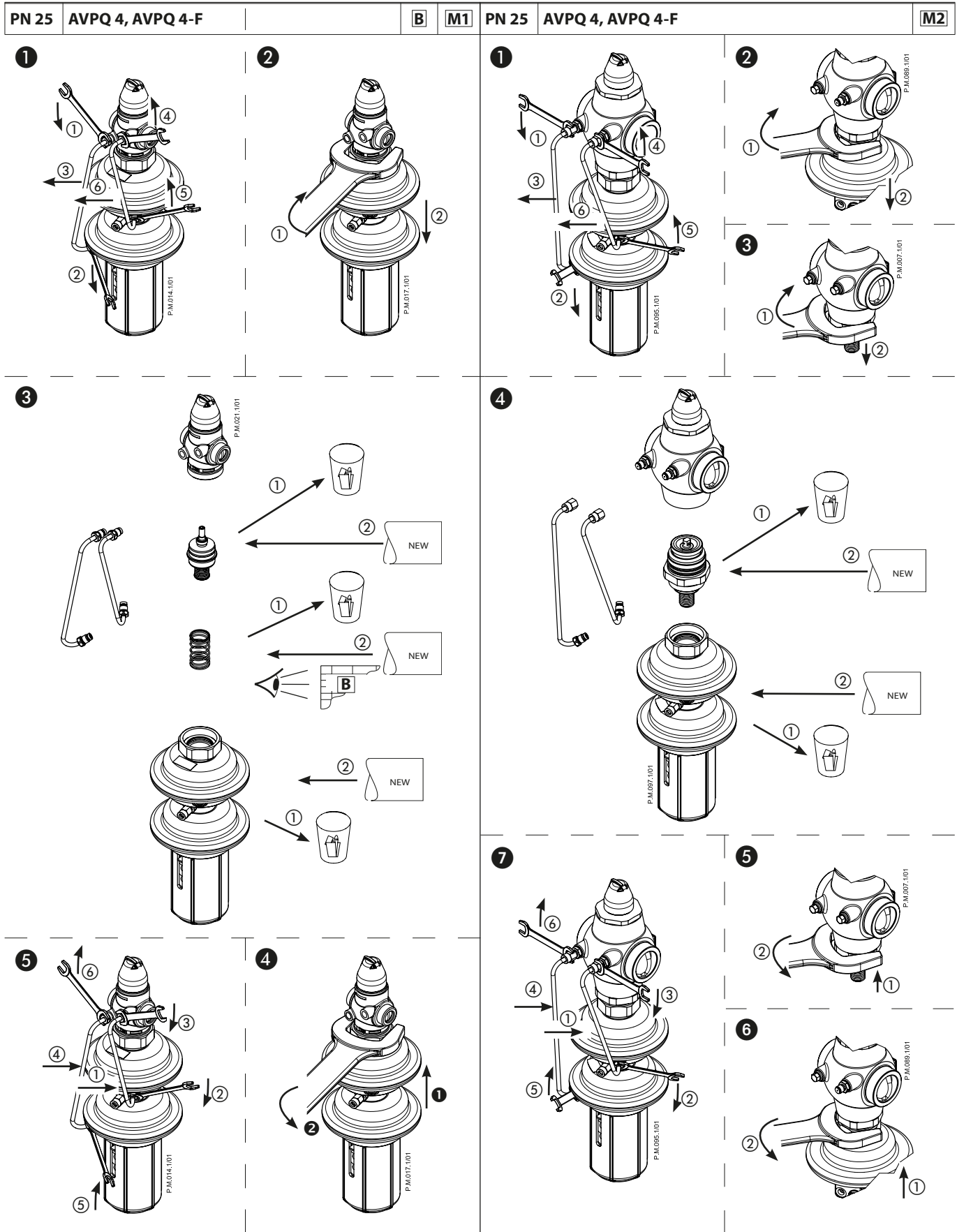
PN 25	AVP, AVP-F, AVPB, AVPB-F, AVPBT-F, AVD	A	M1	PN 25	AVP, AVP-F, AVPB, AVPB-F, AVPBT-F, AVD	M2
	AVQ, AVQT, AVQM, AVQMT	B			AVQ, AVQT, AVQM, AVQMT	



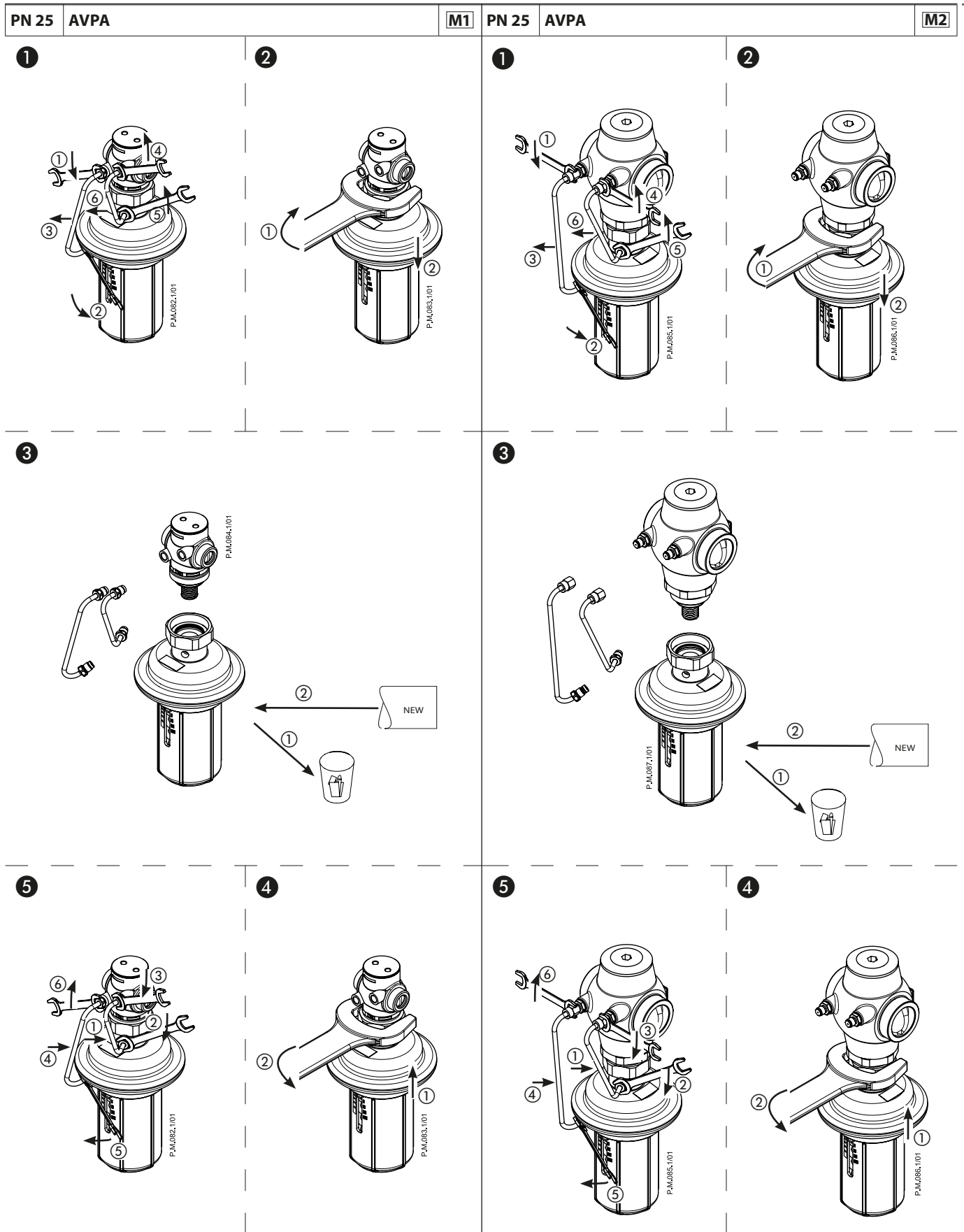
Installation Guide Service kits – Catalogue



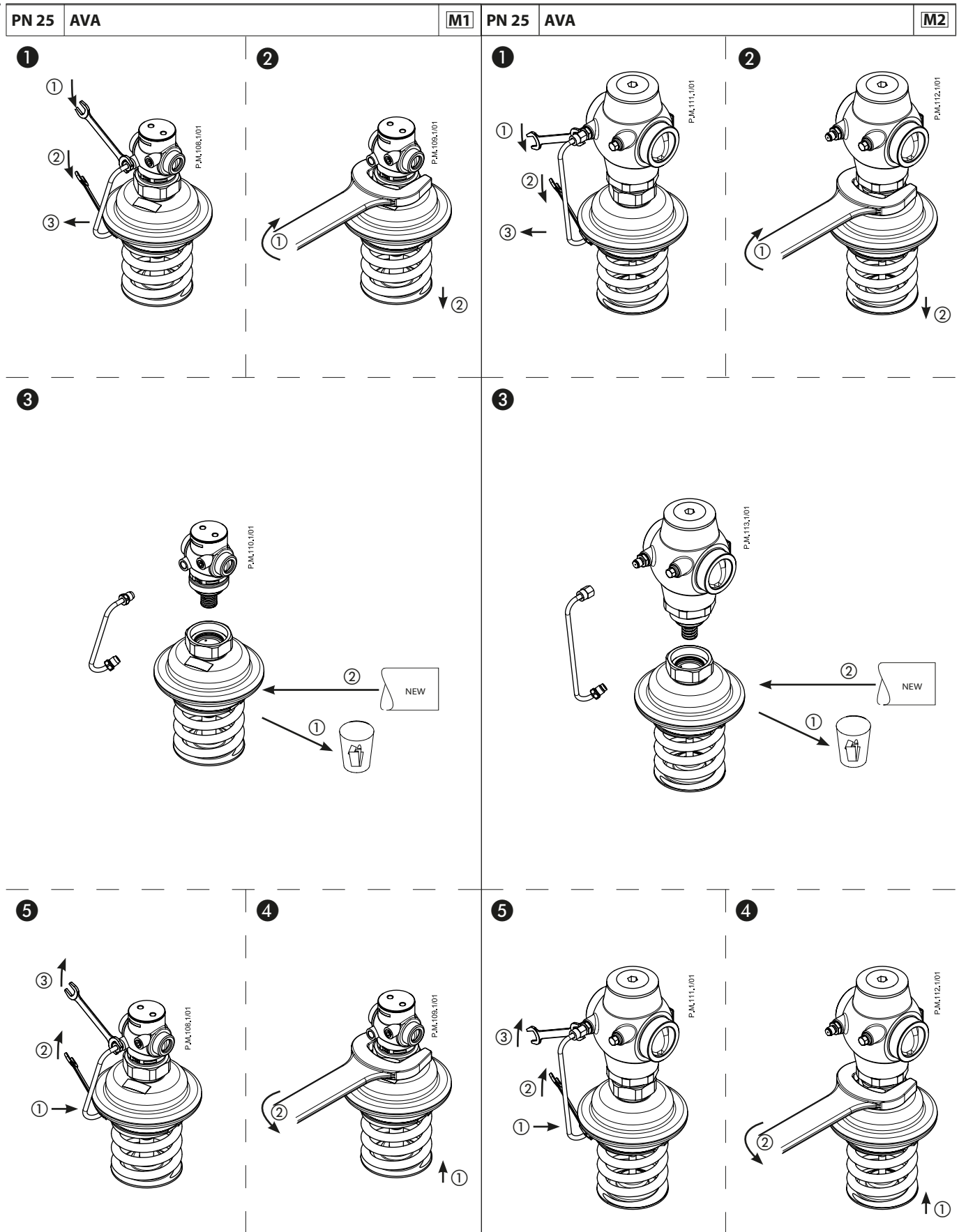
Installation Guide Service kits – Catalogue



Installation Guide Service kits – Catalogue



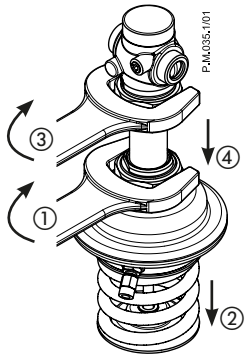
Installation Guide Service kits – Catalogue



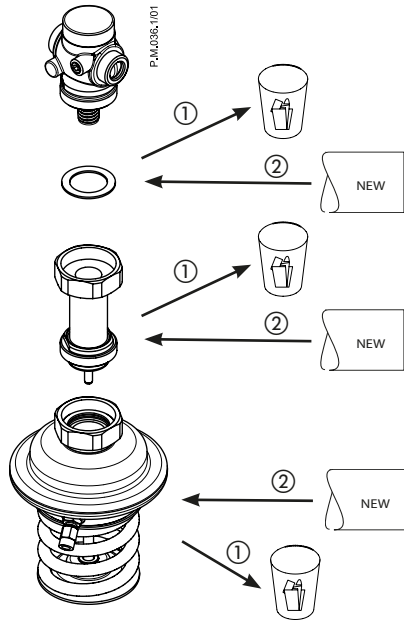
Installation Guide Service kits – Catalogue

PN 25 AVDS M1

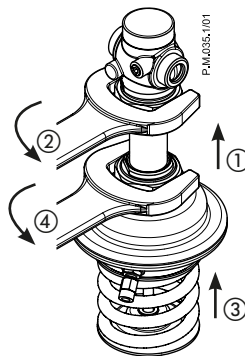
1



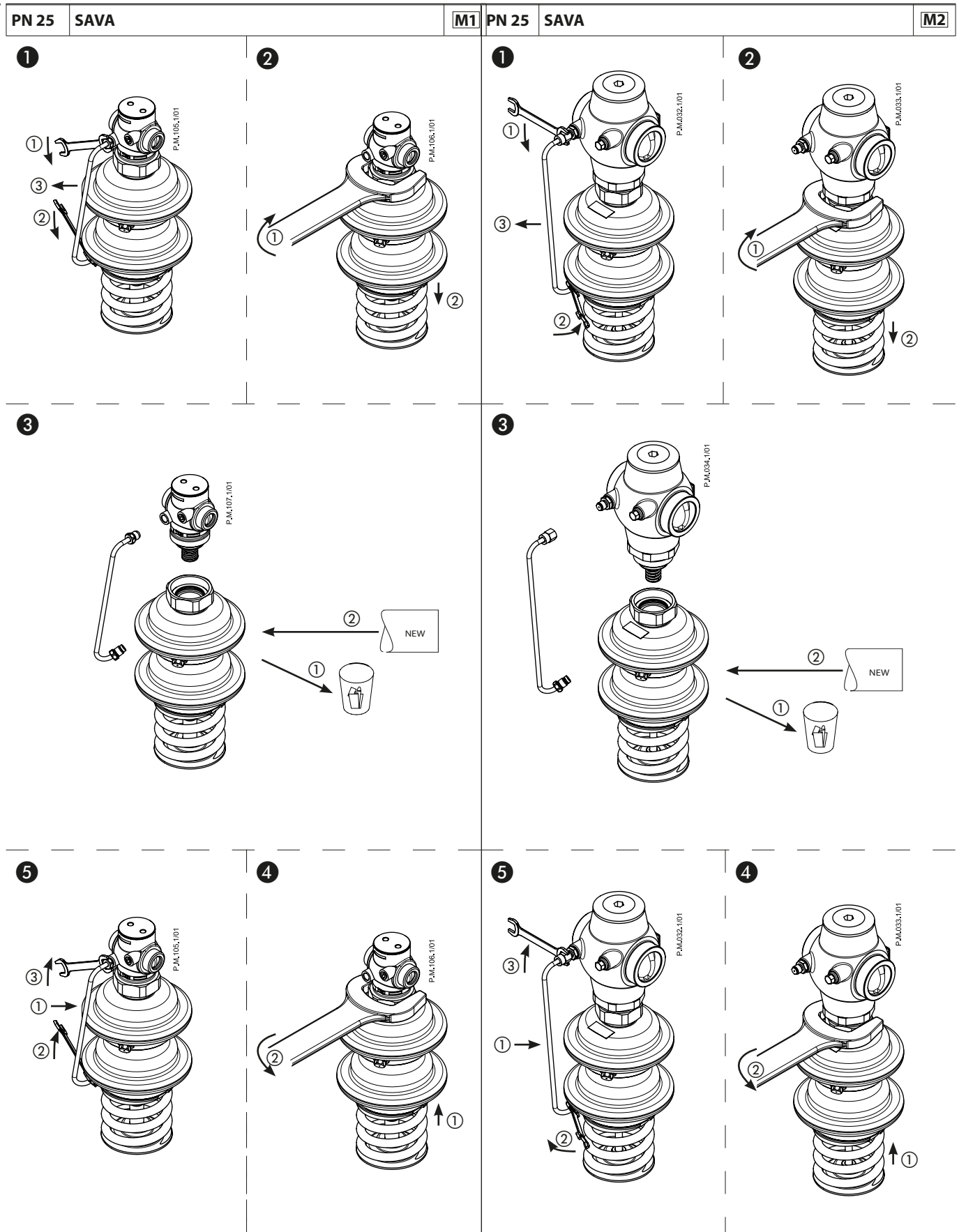
2



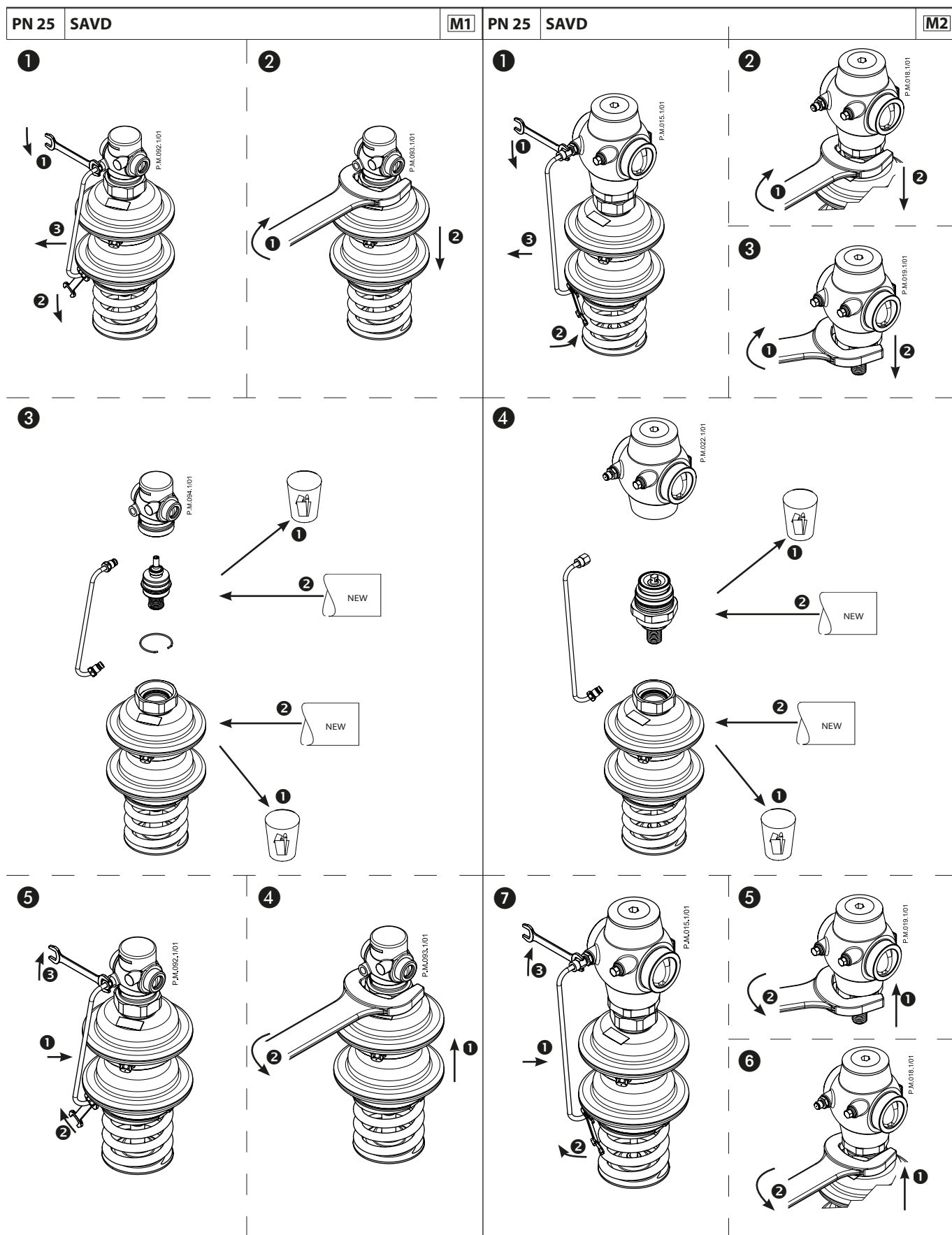
3



Installation Guide Service kits – Catalogue

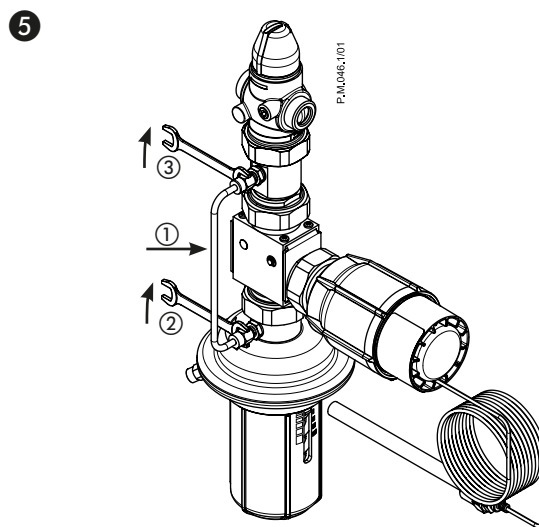
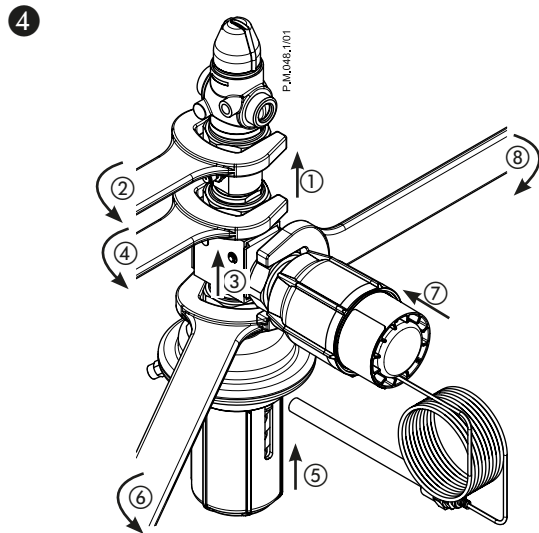
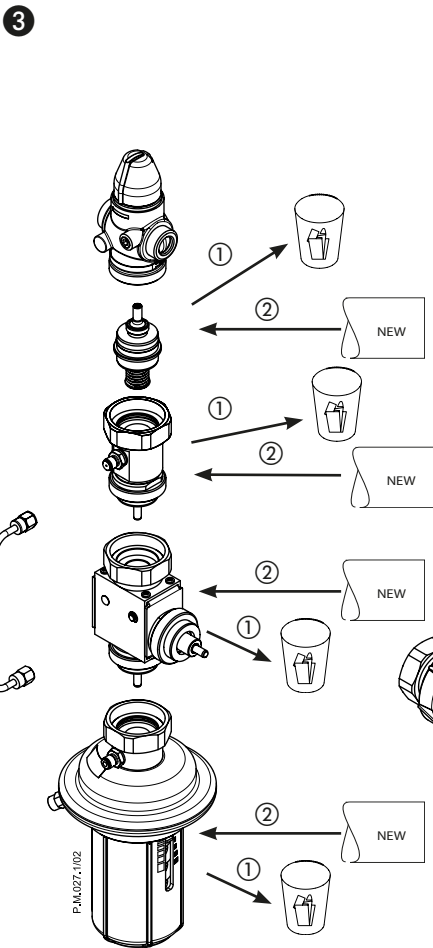
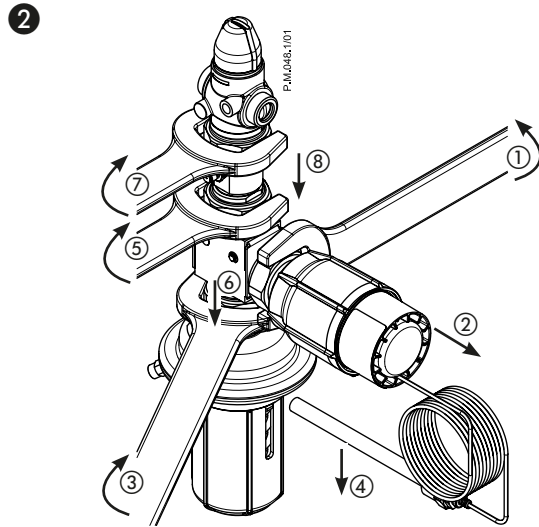
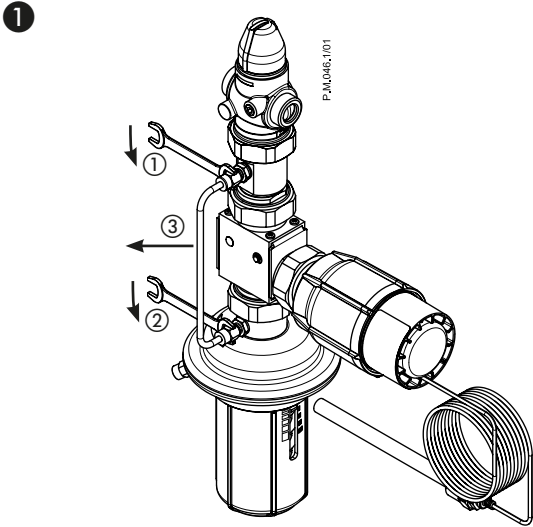


Installation Guide Service kits – Catalogue



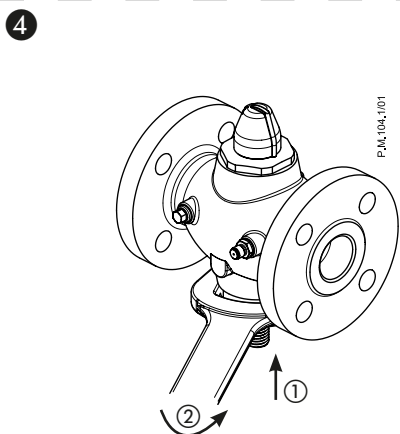
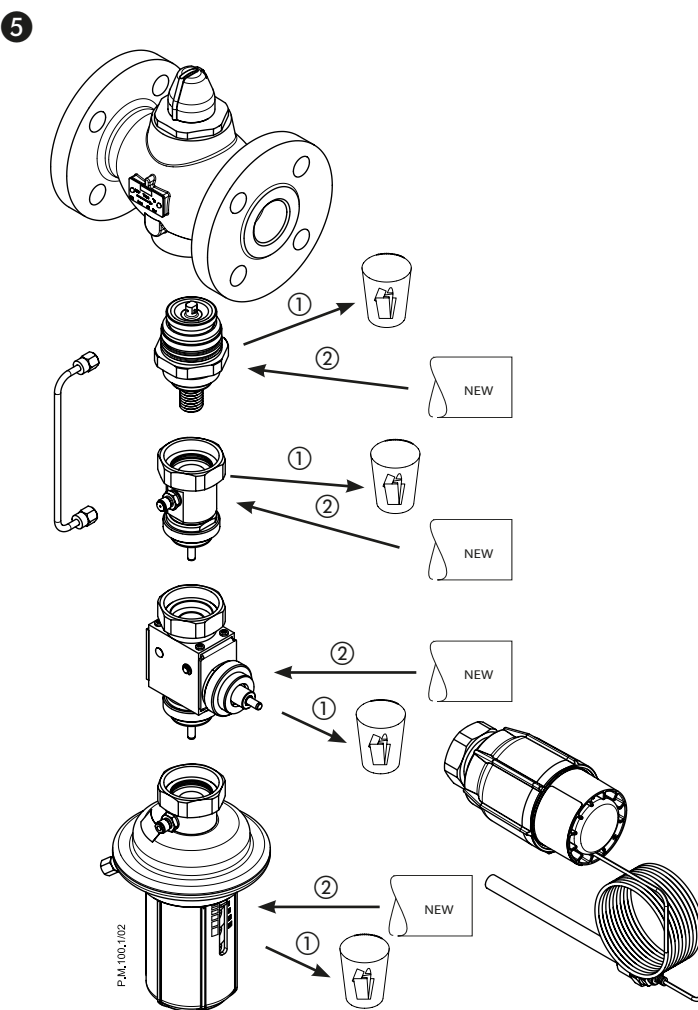
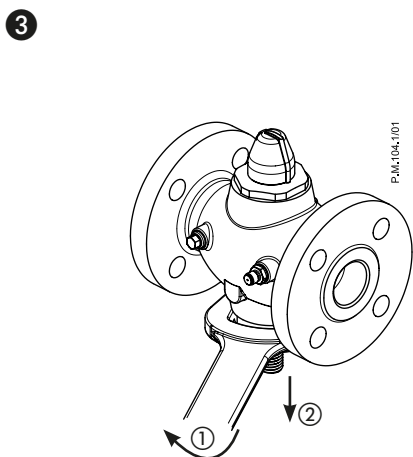
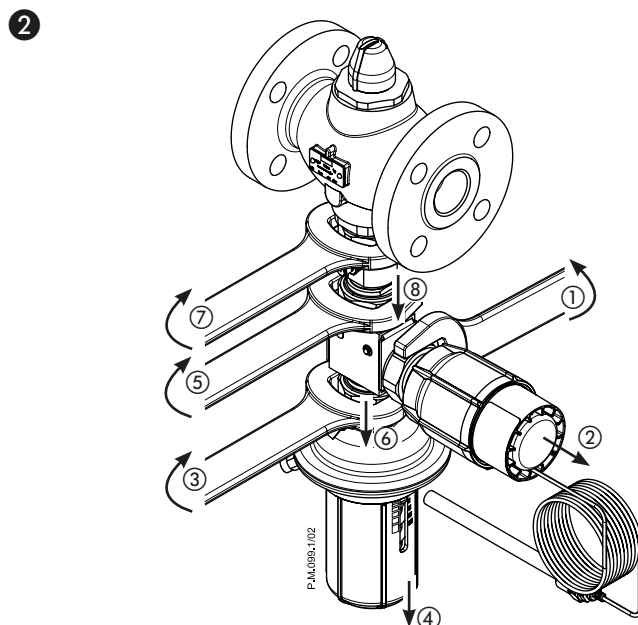
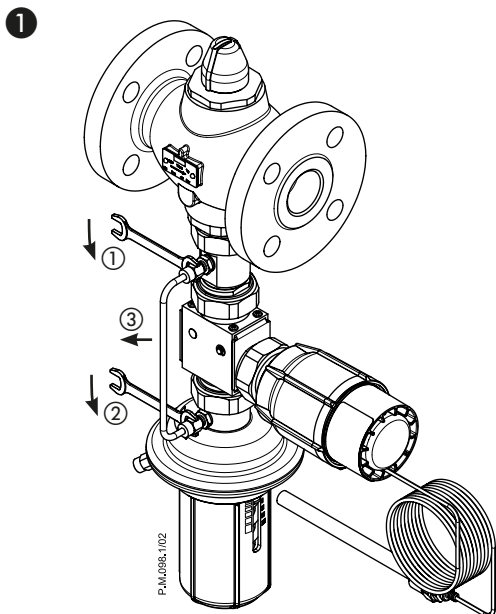
PN 25 AVPBT

M1



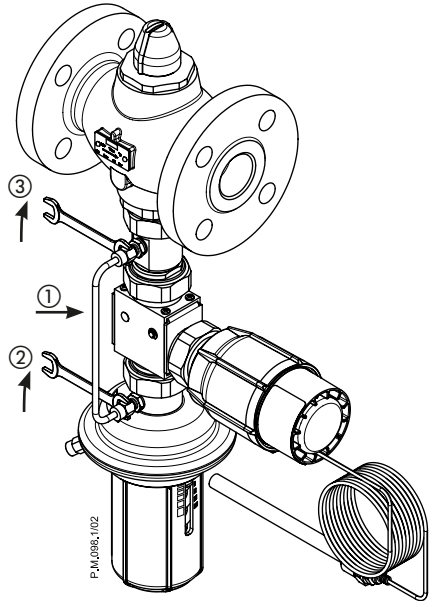
PN 25 AVPBT

M2

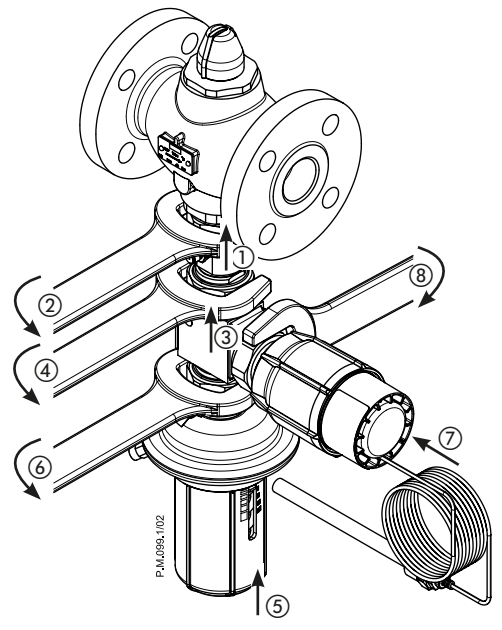


PN 25	AVPBT	M2
-------	-------	----

7

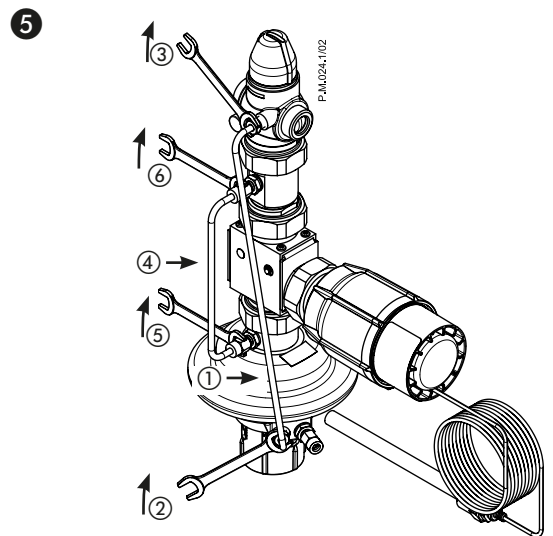
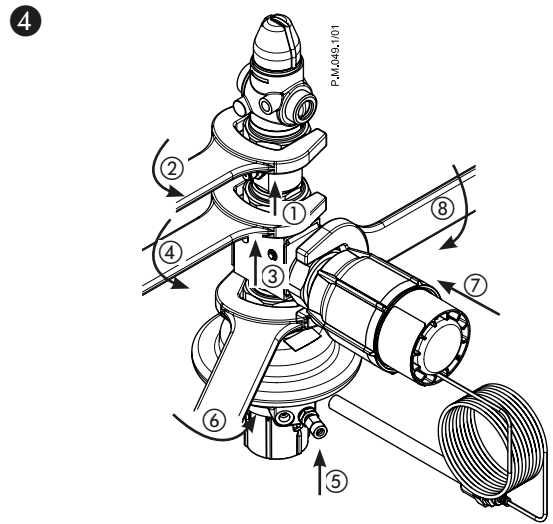
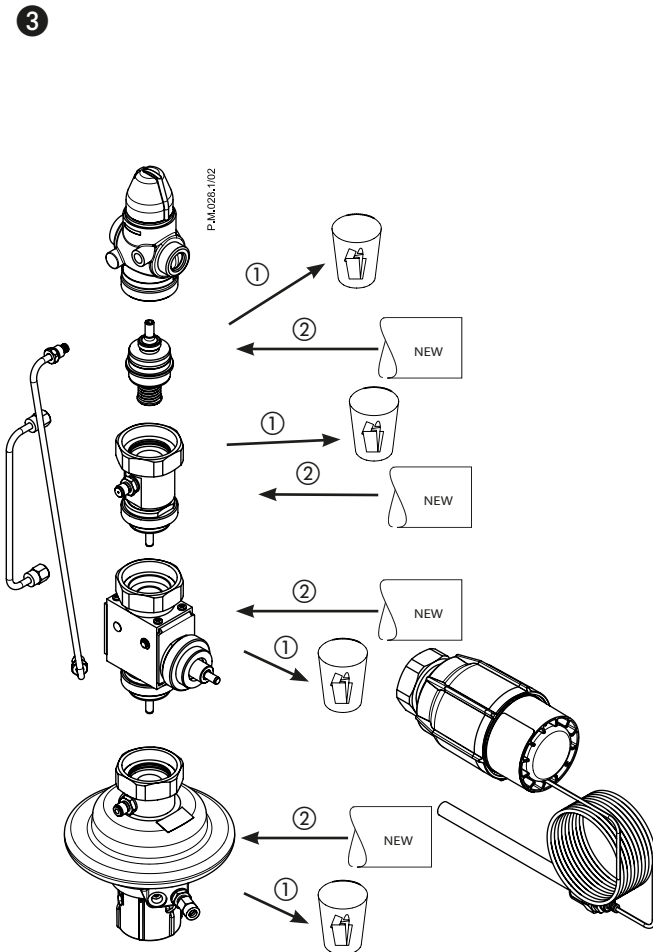
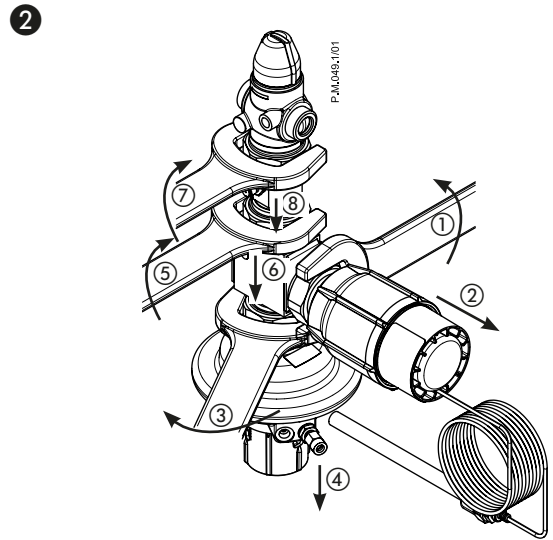
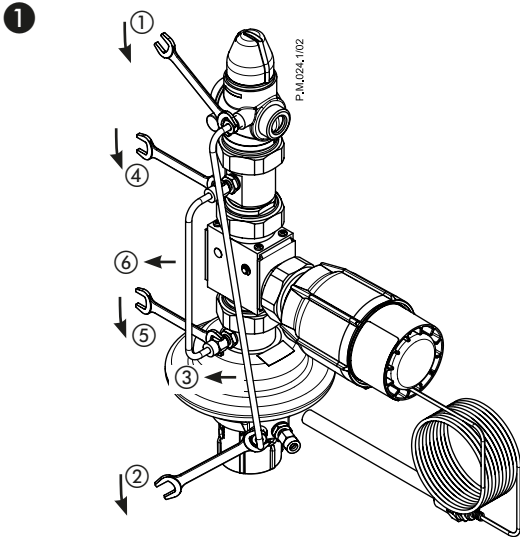


6



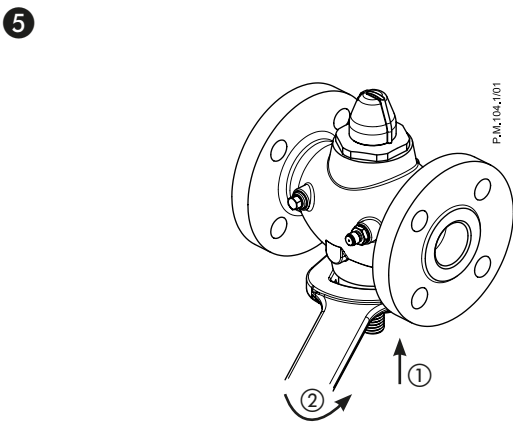
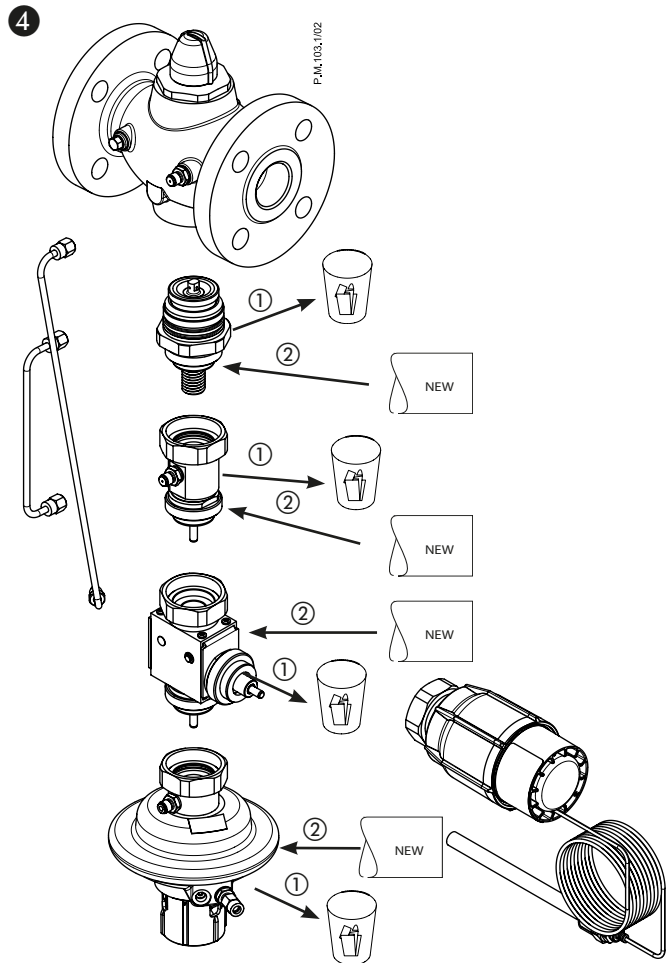
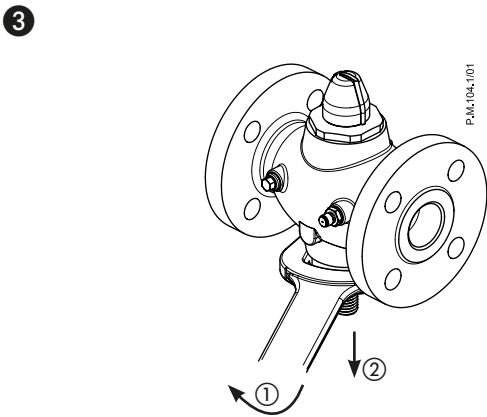
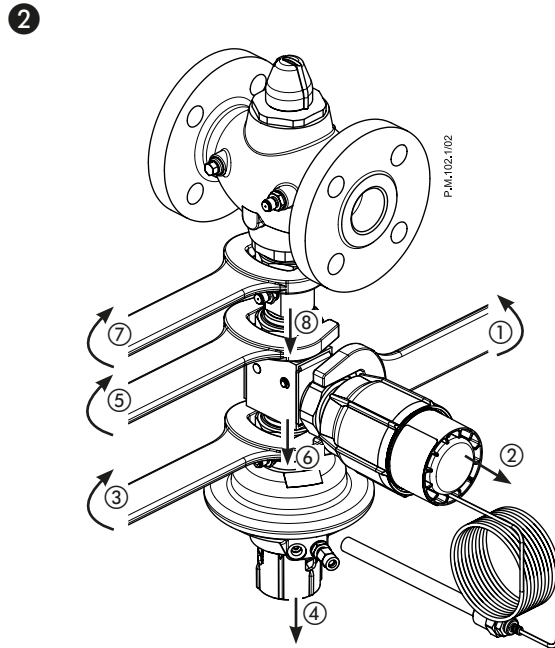
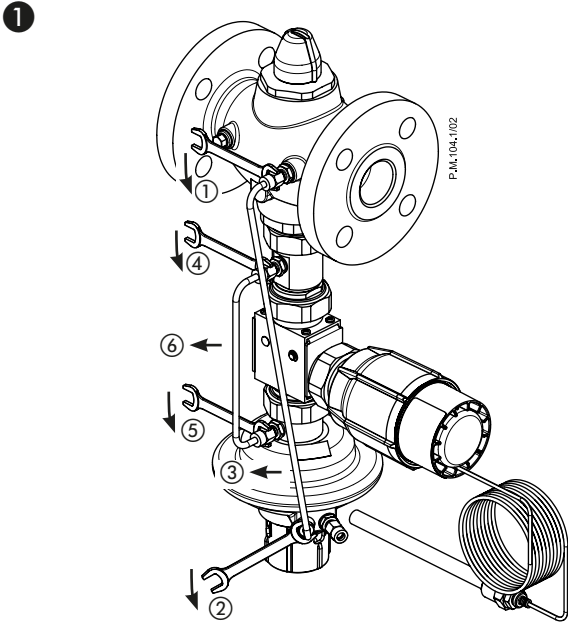
PN 25 AVPQT

M1



PN 25 AVPQT

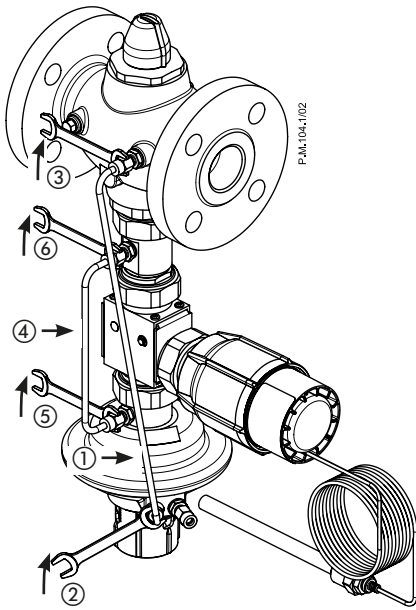
M2



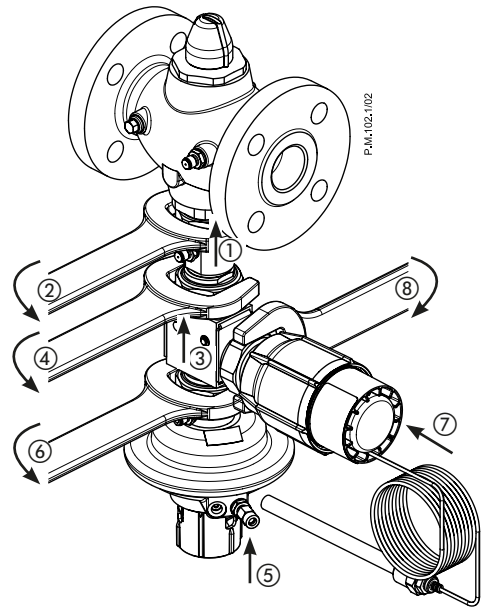
PN 25 AVPQT

M2

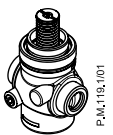
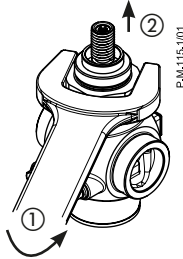
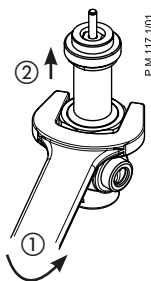
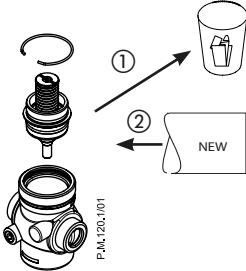
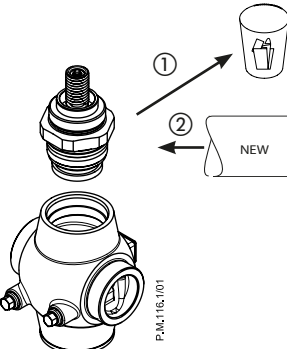
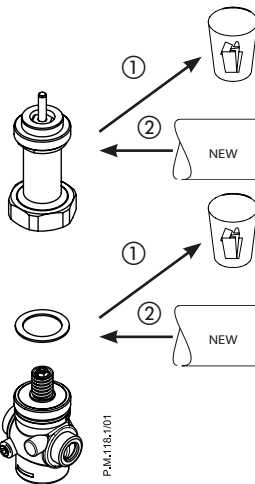

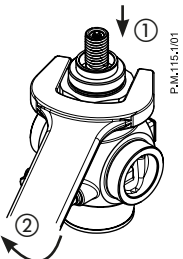
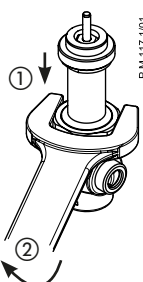
7



6



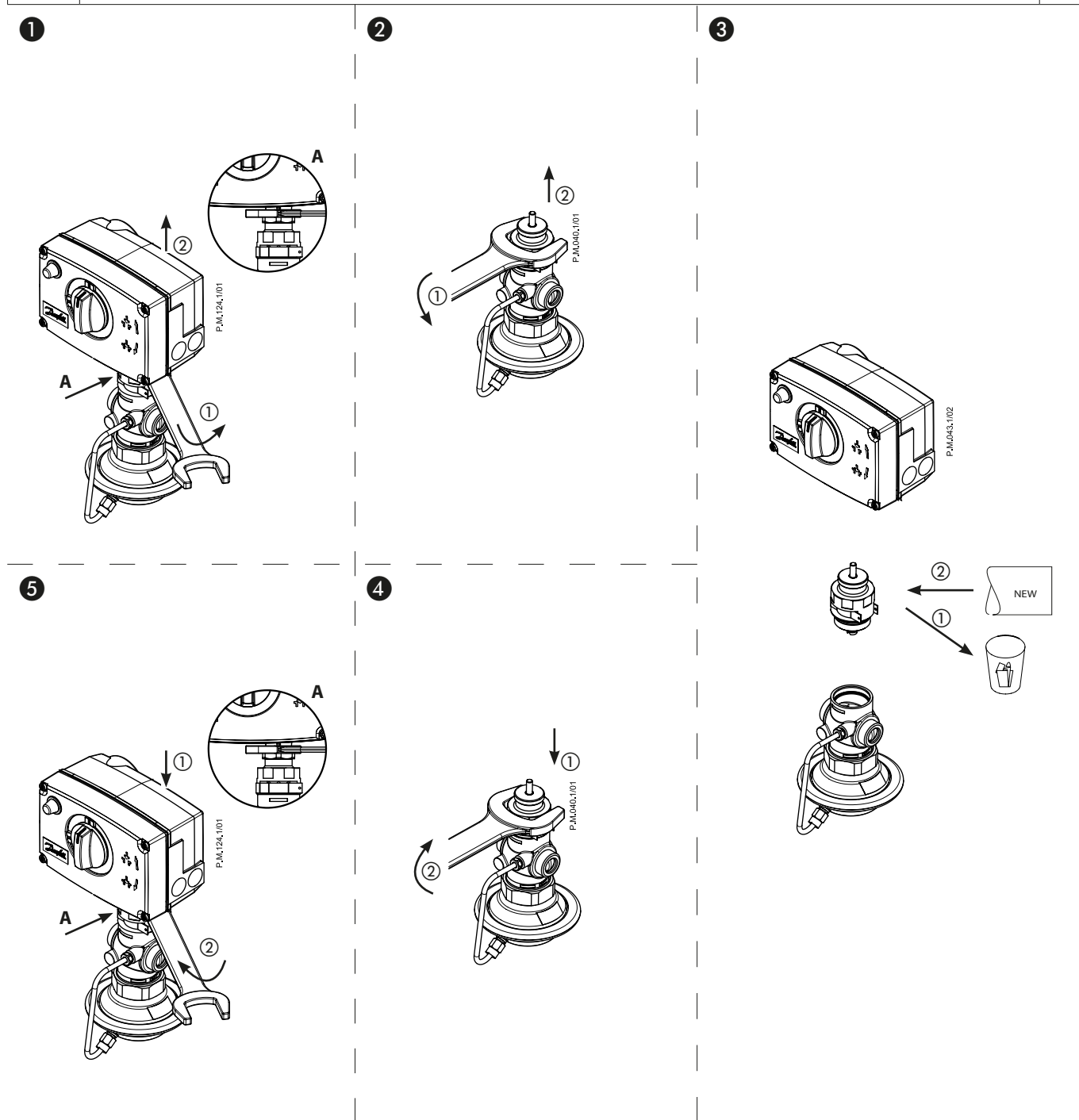
Installation Guide Service kits – Catalogue

PN 16	VG	M1	PN 25	VG, VGF	M2	PN 16	VGS	M1
<p>1</p> 		<p>1</p> 		<p>1</p> 				
<p>2</p> 		<p>2</p> 		<p>2</p> 				
<p>3</p> 		<p>3</p> 		<p>3</p> 				

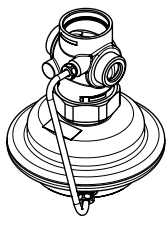
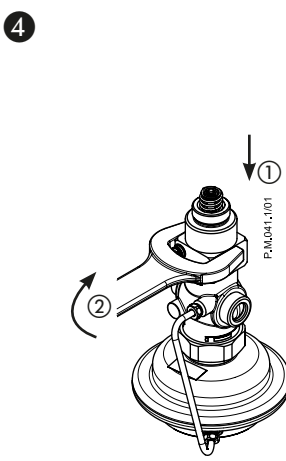
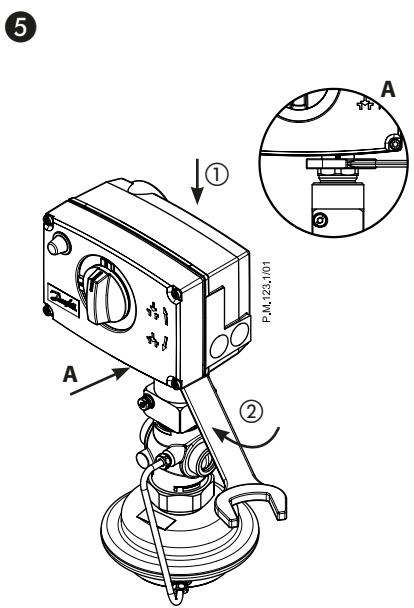
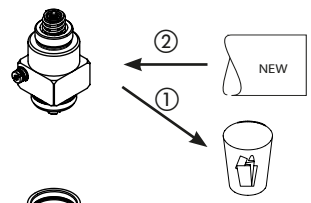
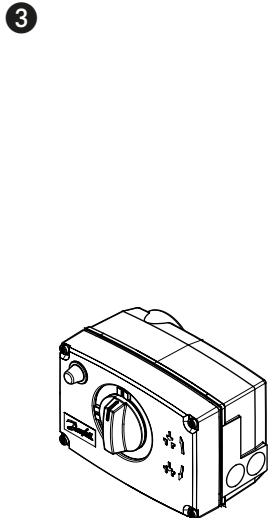
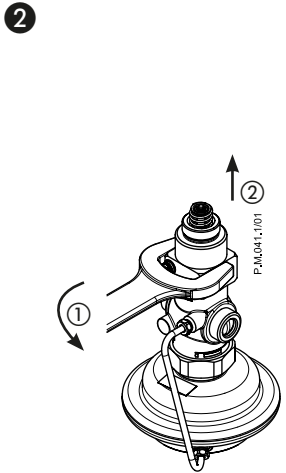
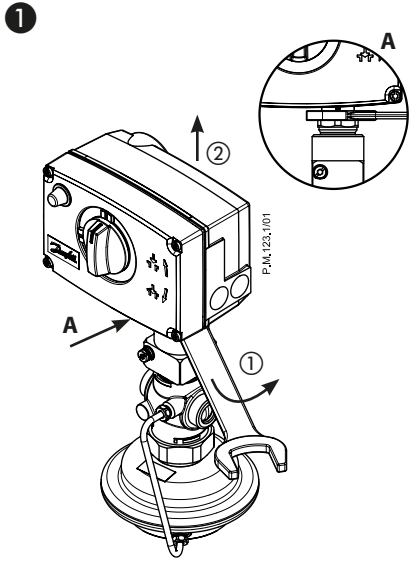
Installation Guide Service kits – Catalogue

PN 16	M1	PN 25	M1	M2					
					<table border="1"> <tr> <td>M1</td> <td>CuSn5ZnPb (Rg5)</td> </tr> <tr> <td>M2</td> <td>EN-GJS-400-18-LT (GGG 40.3)</td> </tr> </table>	M1	CuSn5ZnPb (Rg5)	M2	EN-GJS-400-18-LT (GGG 40.3)
M1	CuSn5ZnPb (Rg5)								
M2	EN-GJS-400-18-LT (GGG 40.3)								
35 Nm		35 Nm		25 Nm					

PN 16	M1
-------	----



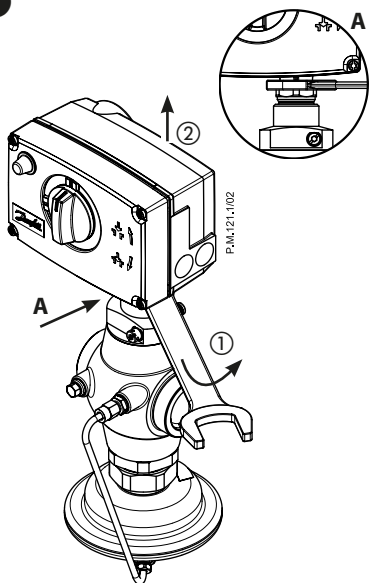
PN 25 M1



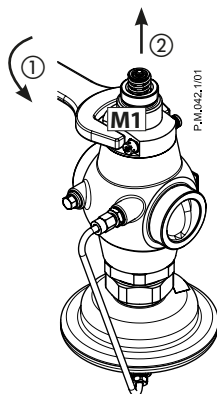
PN 25

M2

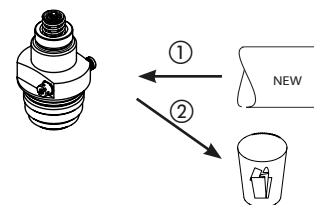
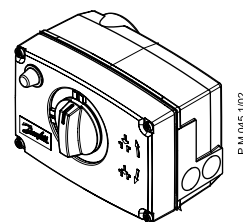
1



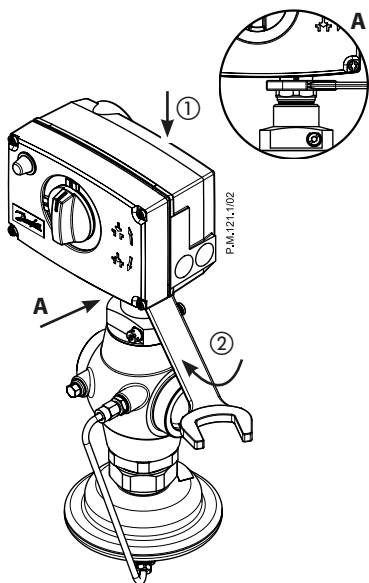
2



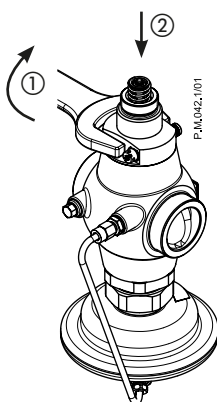
3



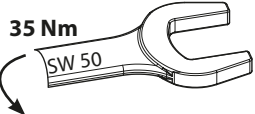
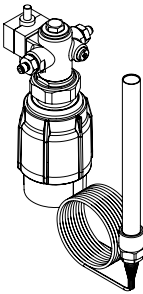
5



4

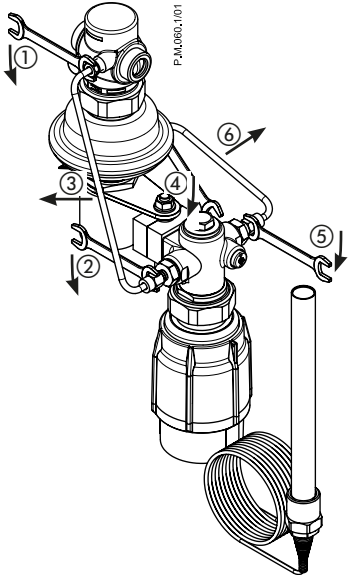


Installation Guide Service kits – Catalogue

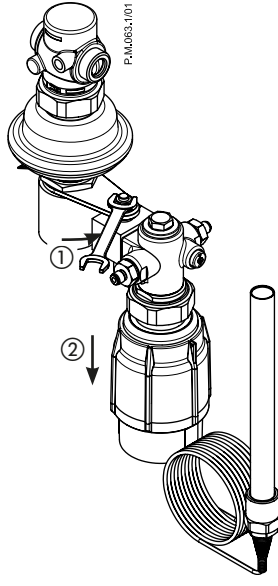


PN 25 STL M1, M2

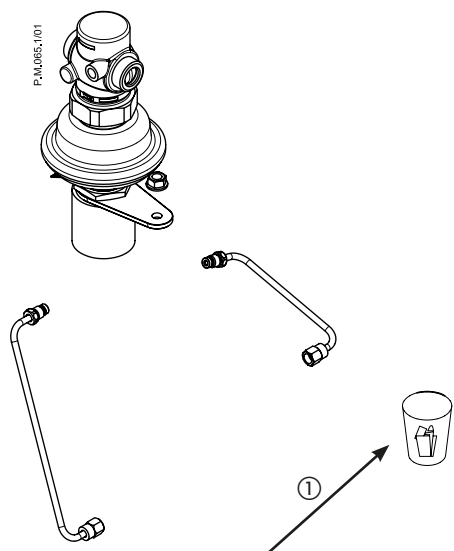
1



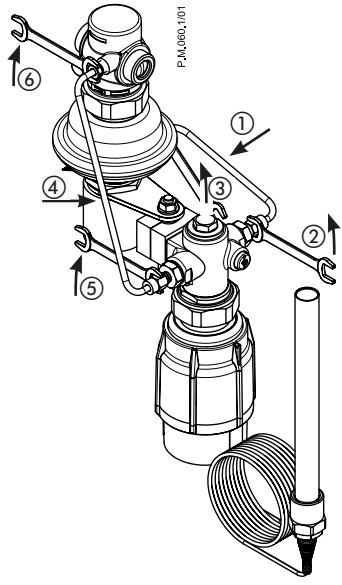
2



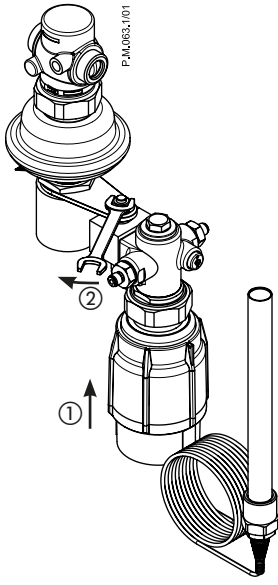
3

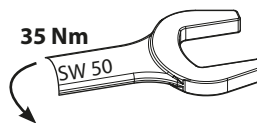
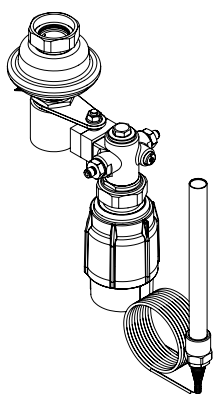


5



4





PN 25 STL

M1, M2

